

PARTS DRAWING



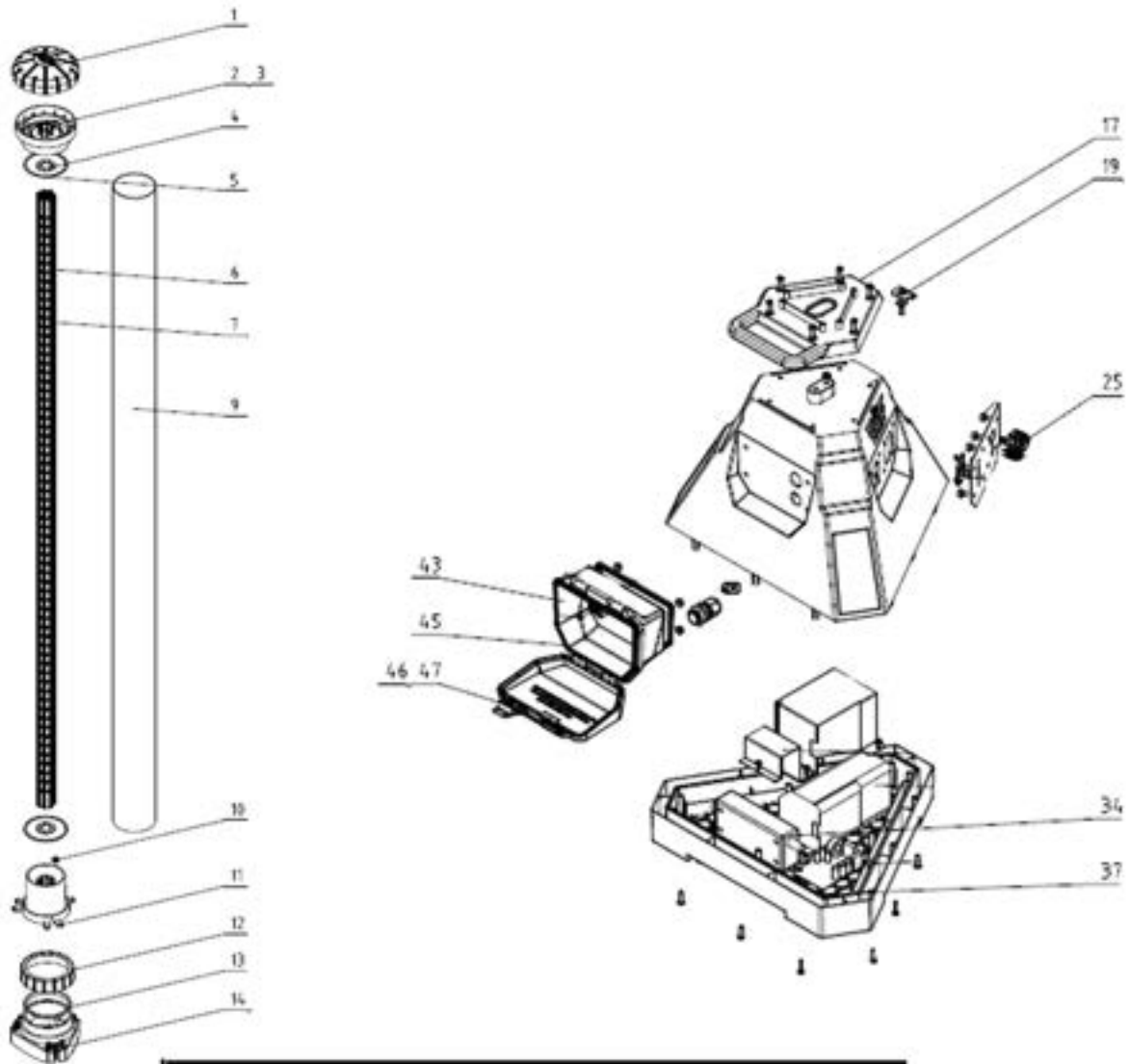
**110 Volt
LED Uplight
Product Code:
DL36R**

Serial Number Range:

Year Of Manufacture:



KEEP THIS BOOKLET FOR FUTURE REFERENCE



Item List No.	HSC SKU	Description
1	S/R	Top Cover
2	S/R	Self Tapping 2.5x10mm Screw
3	S/R	Upper Lamp Holder
4	S/R	Waterproof Ring Gasket
5	S/R	Waterproof O-Ring
6	S/R	LED Linear Strip Board
7	S/R	Heat Shrink
9	S/R	Opal Diffuser
10	S/R	Gromet
11	S/R	Lower Clamp Holder
12	S/R	Compression Ring
13	S/R	O-Ring
14	S/R	Top Cover Base Moulding
17	S/R	Base Handle Plate
19	S/R	Base Housing
25	DL36RS	Power Select Switch
34	DL36RD	LED Driver Delta Rechargeable
37	DL36REBASE	Delta 36Watt Rechargeable Battery Base Section
43	DL36RCH	Cable Management Enclosure
45	DL36RCHG	Cable Management Enclosure Gasket
46	DL36RCHL	Cable Management Enclosure Lid
47	DL36RCHC	Cable Management Enclosure Clips
N/A	DL36RMC	Mains Charger

S/R = Available On Special Request

Recycling



ENVIRONMENTAL PROTECTION: Please recycle any unwanted materials as opposed to disposing them as general waste. It is recommended the original is retained and used to store the product when not in use for prolonged periods of time. If this is not applicable ensure the materials are sorted and recycled in accordance with local regulations.



SPECIFICATION CHANGE: It is our policy to continually improve products to ensure these meet the rigours of the industry we serve. Therefore, as such we reserve the right to alter specifications, data and components parts without prior notice.

WARRANTY: Please refer to the manufacturer's terms & conditions

IMPORTANT: No liability will be accepted for the incorrect use of this product.