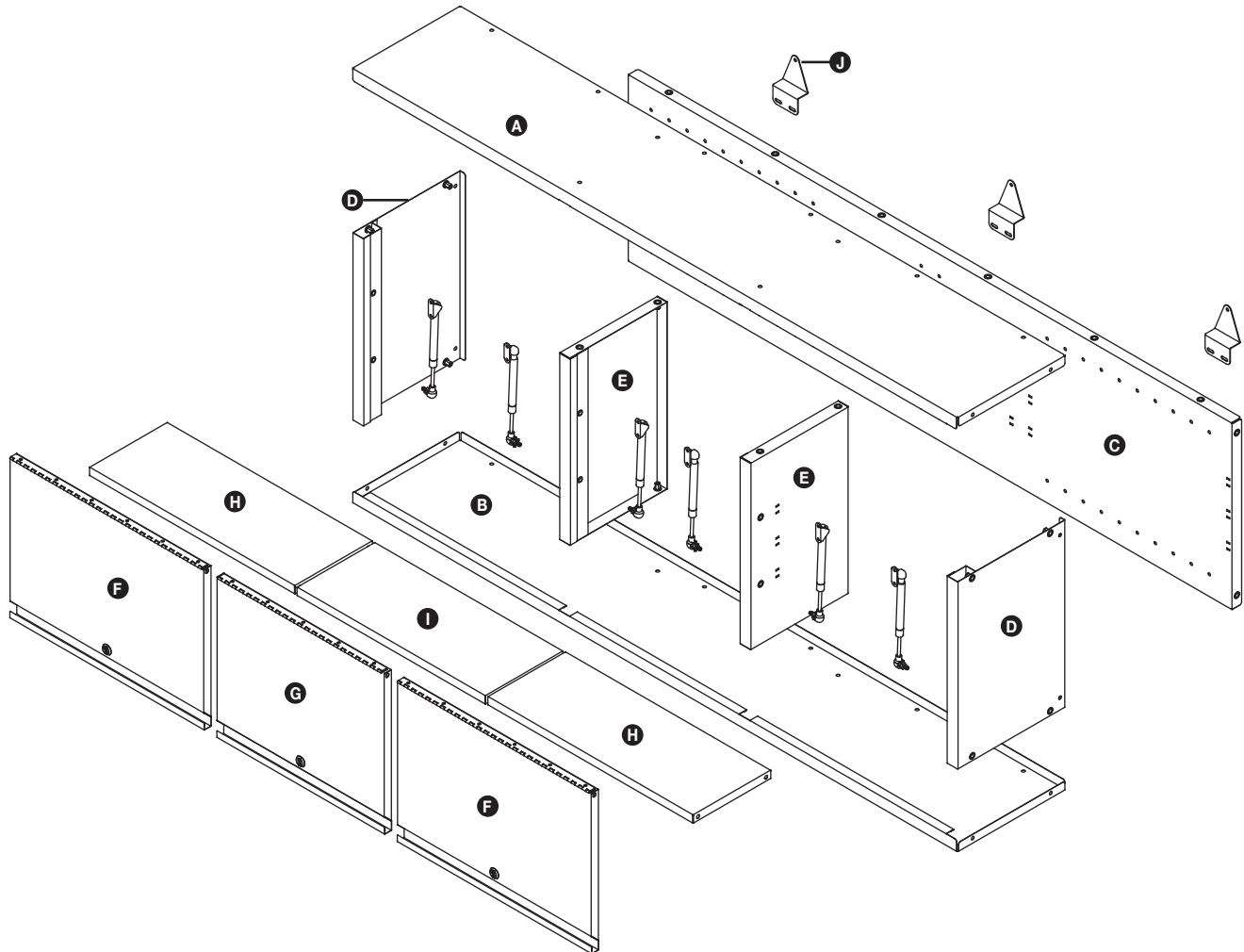


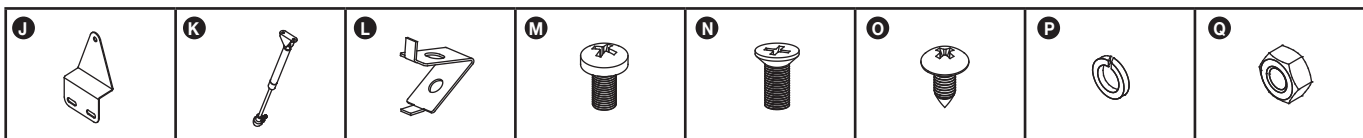
Guide to Assembly & Usage

BiGDUG | Garage Cabinet System – GLWC171



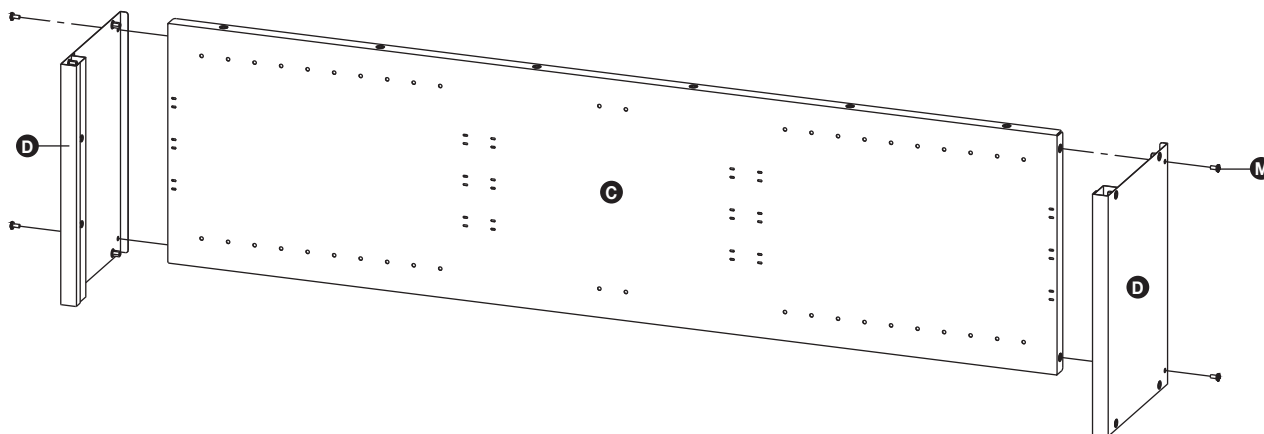
COMPONENT CHECK LIST

Component	Quantity	Component	Quantity
A Top panel	1	J Wall bracket	3
B Bottom panel	1	K Gas strut	6
C Rear panel	1	L Shelf bracket	12
D Side panel	2	M M6 12mm bolt	38
E Centre Panel	2	N M5 12mm bolt	12
F Side door	2	O ST 4.2x9.5 screw	17
G Centre door	1	P M6 spring washer	6
H Side shelf	2	Q M6 nut	6
I Centre shelf	1		

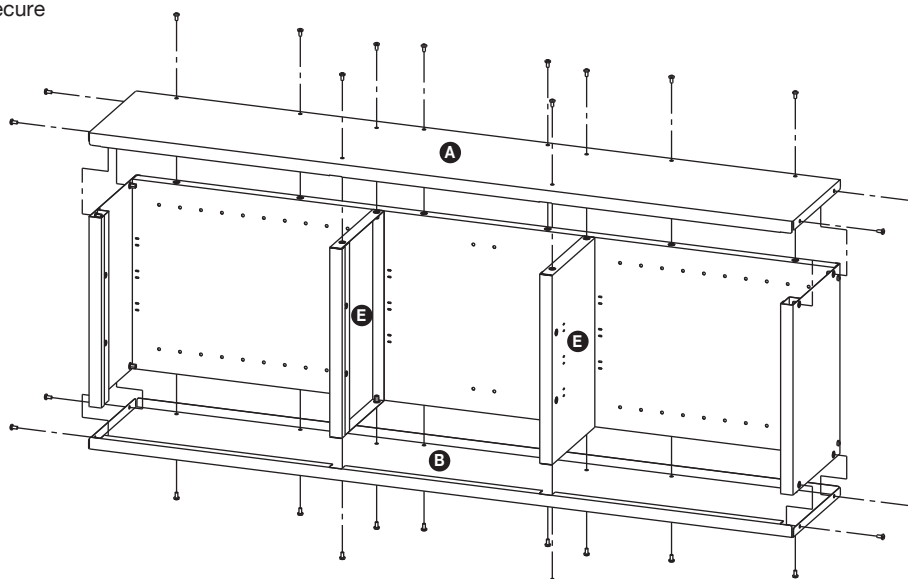


Assembly - BIGDUG® Garage Cabinet System – 1700mm Wall Cabinet

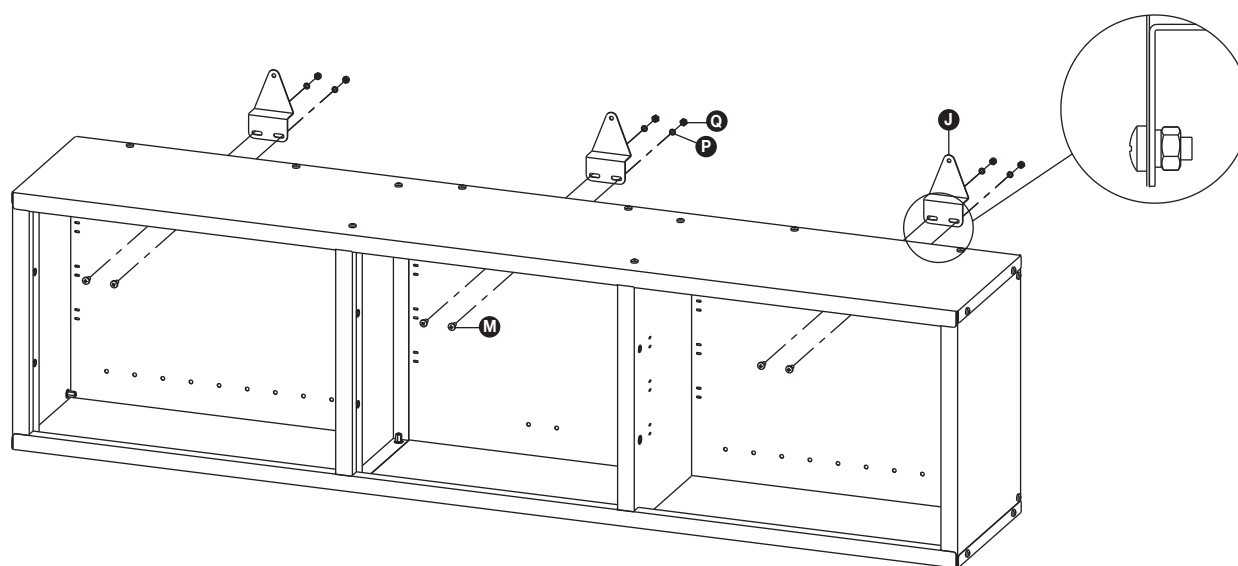
1 Slide the sides panels **D** over the rear panel **C** and attach using fixings **M**.



2 Attach the bottom pane **B**, centre panels **E** and top panel **A** to side panels and rear panel ,secure using fixings **M**.

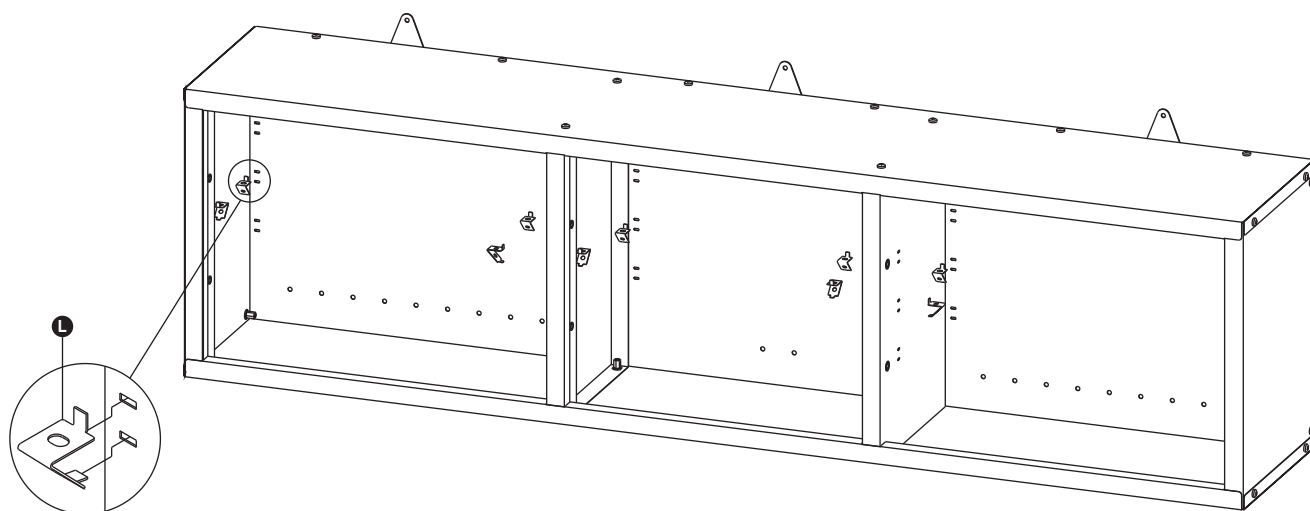


3 Attach wall bracket **J** through rear panel **C** using fixings **M**, **P** and **Q**.

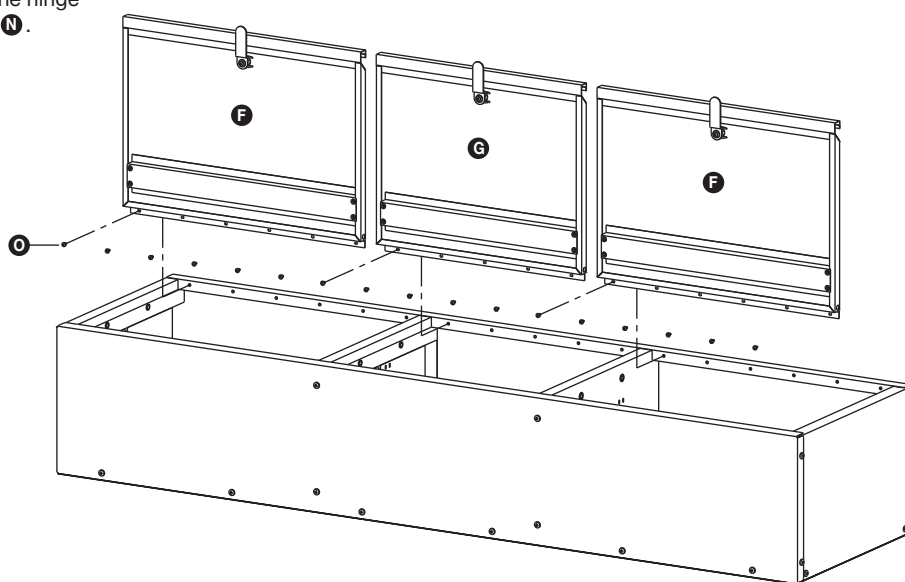


Assembly - BIGDUG® Garage Cabinet System – 1700mm Wall Cabinet

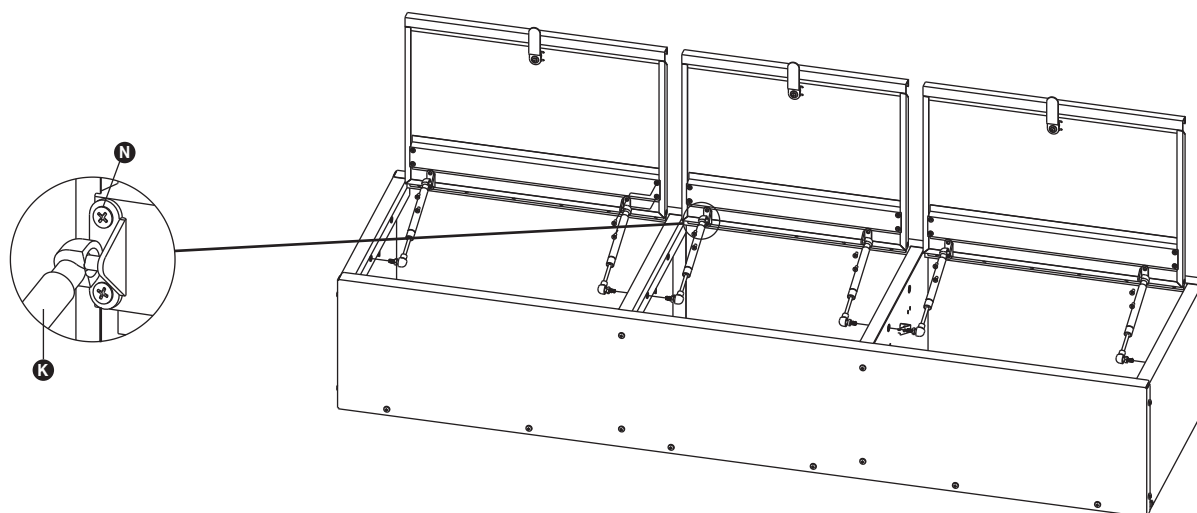
4 To fit the shelves insert shelf brackets **L** into the desired location.



5 Attached door **F** + **G** by screwing the hinge to the top panel **A** by using screws **N**.

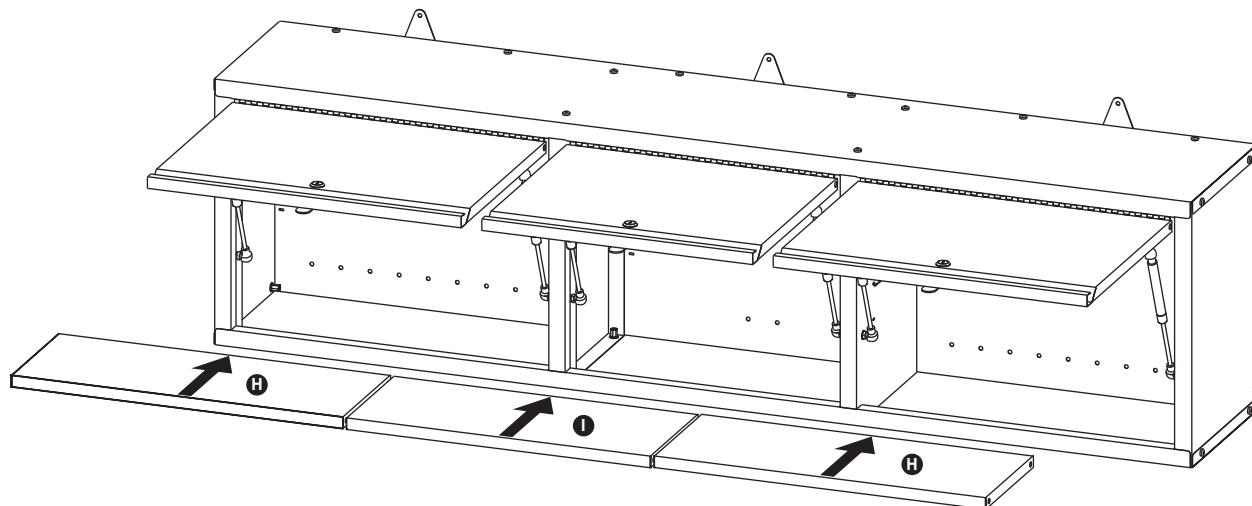


6 Fit the gas struts **K** to the rear of the doors **F** + **G** using fixings **N**.



Assembly - BIGDUG® Garage Cabinet System –1700mm Wall Cabinet

7 Manoeuvre the side shelf **H** and centre shelf **I** into place.



8 Fix to the wall using the appropriate fixings.

