



INSTRUCTIONS FOR:
TROLLEY FOR FSC09 & FSC10
 MODEL NO: **FSC11T**

Thank you for purchasing a Sealey product. Manufactured to a high standard, this product will, if used according to these instructions and maintained properly, give you years of trouble free performance.

IMPORTANT: PLEASE READ THESE INSTRUCTIONS CAREFULLY. NOTE THE SAFE OPERATIONAL REQUIREMENTS, WARNINGS & CAUTIONS. USE THE PRODUCT CORRECTLY AND WITH CARE FOR THE PURPOSE FOR WHICH IT IS INTENDED. FAILURE TO DO SO MAY CAUSE DAMAGE AND/OR PERSONAL INJURY AND WILL INVALIDATE THE WARRANTY. KEEP THESE INSTRUCTIONS SAFE FOR FUTURE USE.



Refer to Instruction Manual

1. SAFETY

- WARNING:** Ensure that Health & safety, local authority and general workshop practice regulations are adhered to when using this trolley.
- WARNING:** use the trolley on level and solid ground; preferably concrete.
- Locate the trolley in a suitable working area.
- Keep the work area clean, uncluttered and ensure that there is adequate lighting.
- Keep the trolley clean in accordance with good workshop practice.
- Keep children and unauthorised persons away from the work area.
- DO NOT** use this trolley for any other purpose than that for which it is designed.
- DO NOT** use the trolley outdoors.
- DO NOT** place the trolley in a damp or wet location or an area where there is condensation.

2. INTRODUCTION

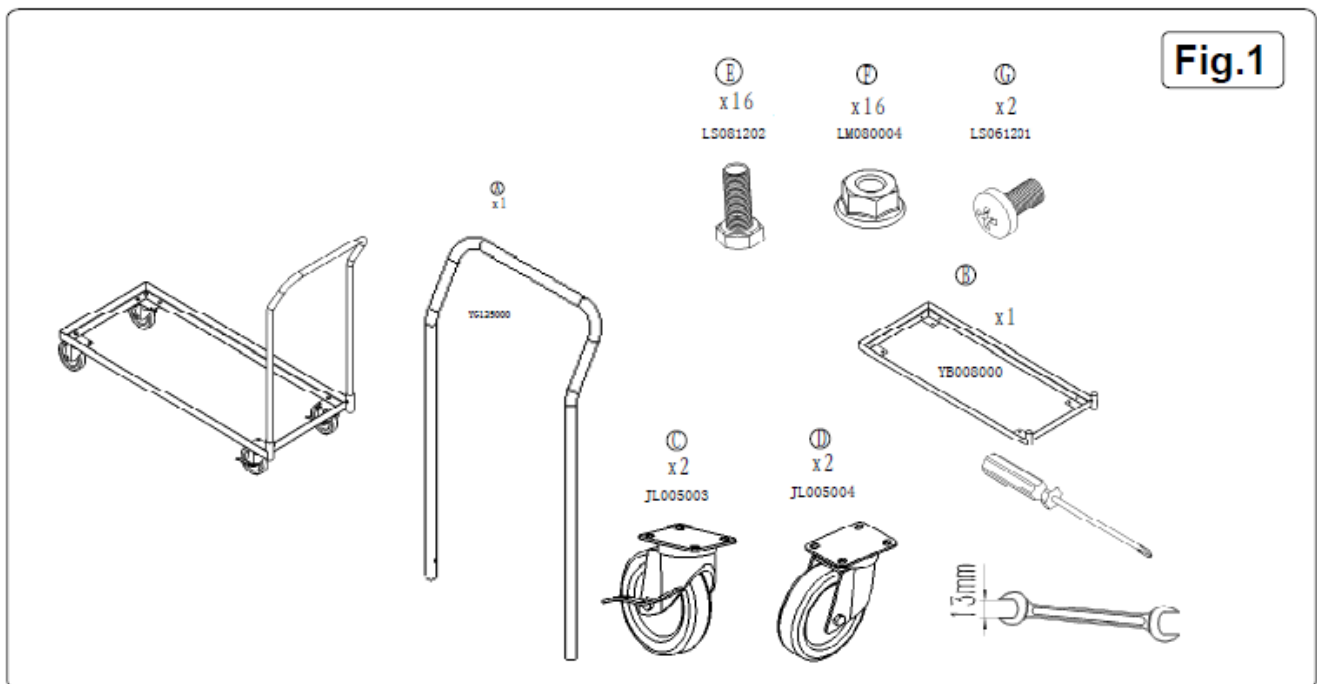
Optional trolley for use with Model No's FSC09 & FSC10. Trolley allows cabinets to be moved around the workplace with ease, allowing for items to be on hand as and when required. Features two lockable castor wheels.

3. SPECIFICATION

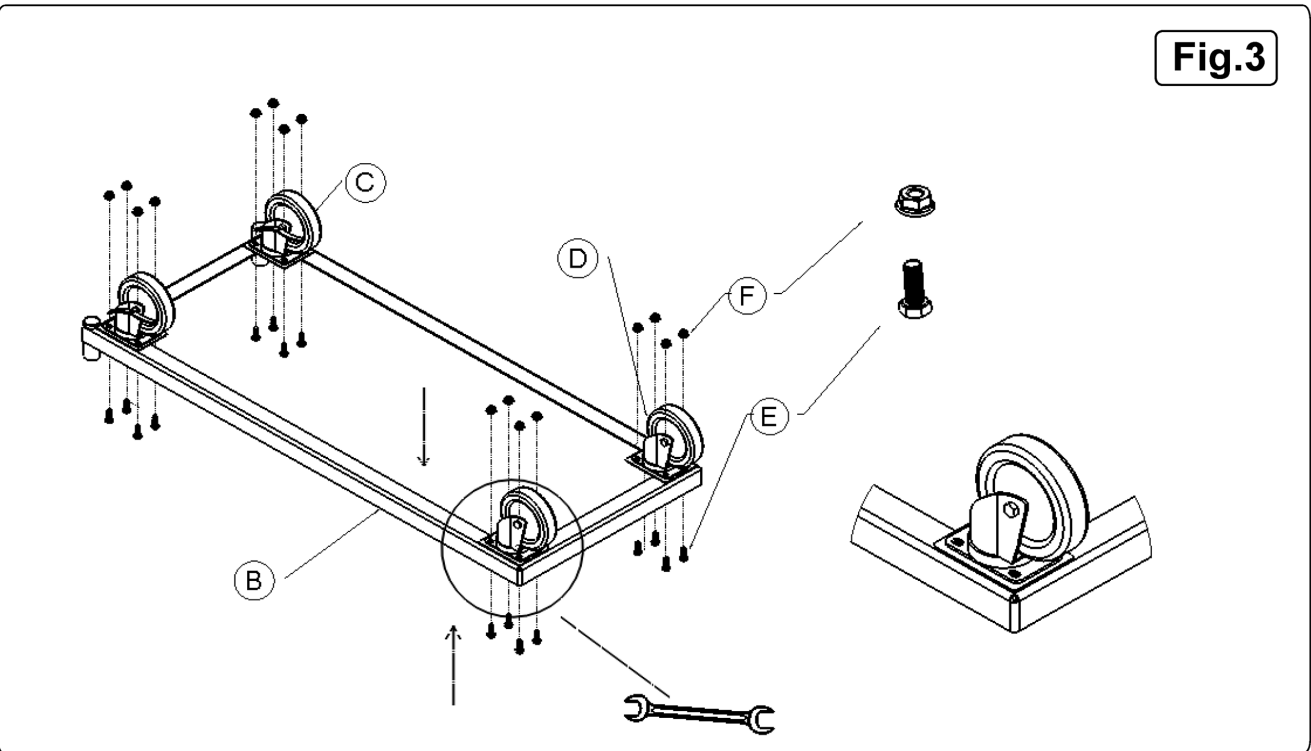
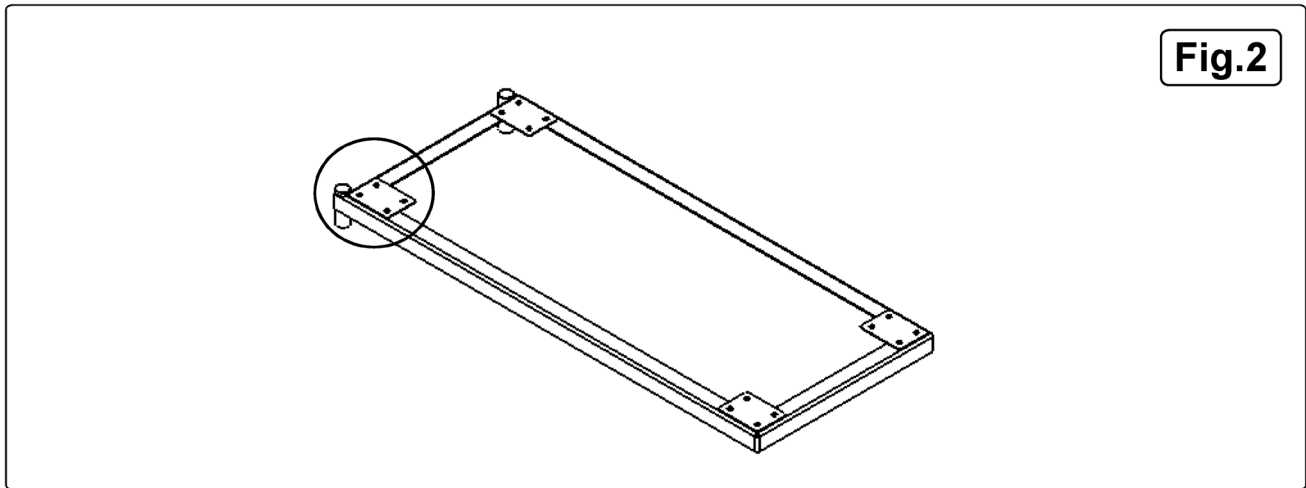
Model No: **FSC11T**
 Size (W x D x H): 1270 x 470 x 1045mm

4. ASSEMBLY

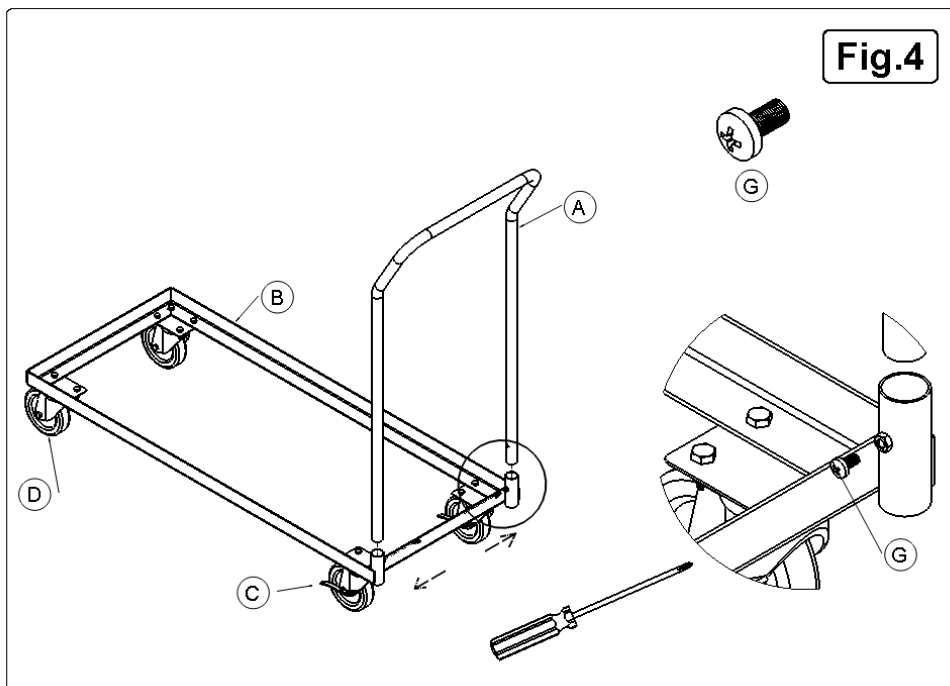
4.1. PREPARATION



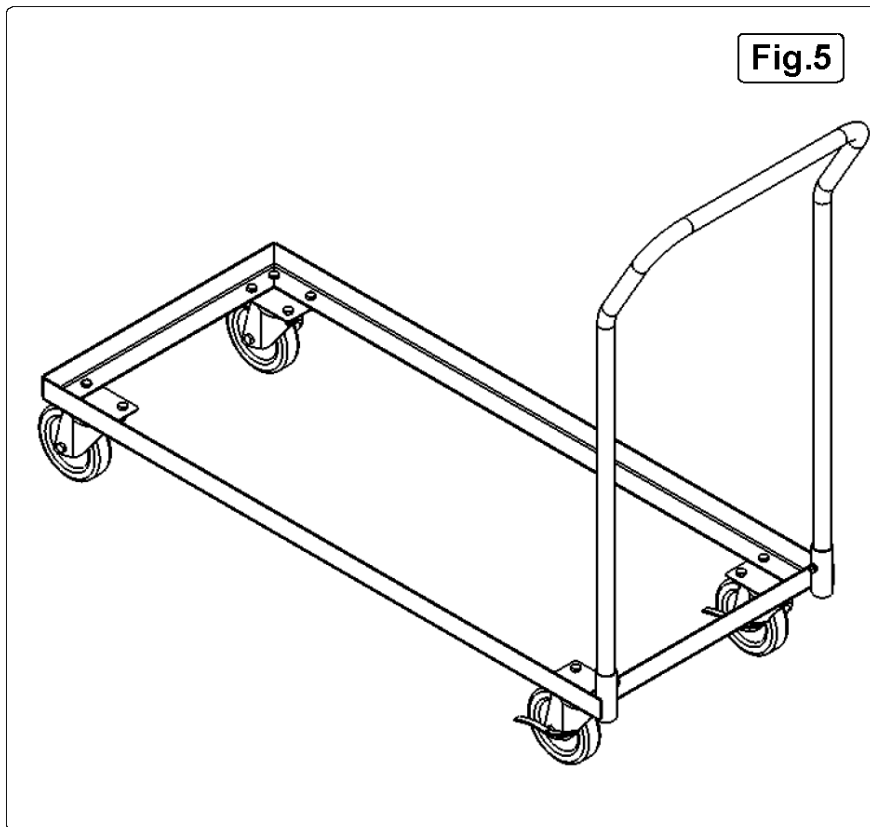
4.1. FIXING CASTORS



4.2. FIXING HANDLE



4.3. ASSEMBLY



Environmental Protection



Recycle unwanted materials instead of disposing of them as waste. All tools, accessories and packaging should be sorted, taken to a recycling centre and disposed of in a manner which is compatible with the environment. When the product becomes completely unserviceable and requires disposal, dispose of it according to local regulations.

NOTE: It is our policy to improve products continually and as such we reserve the right to alter data, specifications and component parts without prior notice.

IMPORTANT: No liability is accepted for incorrect use of this product.

WARRANTY: Guarantee is 12 months from purchase date, proof of which will be required for any claim.

SEALEY