



Safety Instructions

HYDRAULIC JACK



Covers
RWTJ2.0
RWTJ2.5

Please read the safety warnings and precautions mentioned in this manual carefully before use. Operation guide, inspection, maintenance and clarity of every detail and comply with the relevant regulations.

Please keep this manual in a safe and dry place for future reference.

Safety instructions and warnings

Safety instructions

- 1, Overload is strictly prohibited
- 2, Please use on the flat, solid level ground, effectively prevent sliding
- 3, Do not move or push the jacked object when carrying it
- 4, This product can only be used for lifting, do not use it for other purposes
- 5, After lifting the heavy object, support the object with axle stands. It is forbidden to use the jack as a support tool
- 6, It is strictly prohibited to tamper with the safety valve
- 7, It is forbidden to replace the existing parts with other parts
- 8, Make sure the tray is centralised when jacking up under load

warning

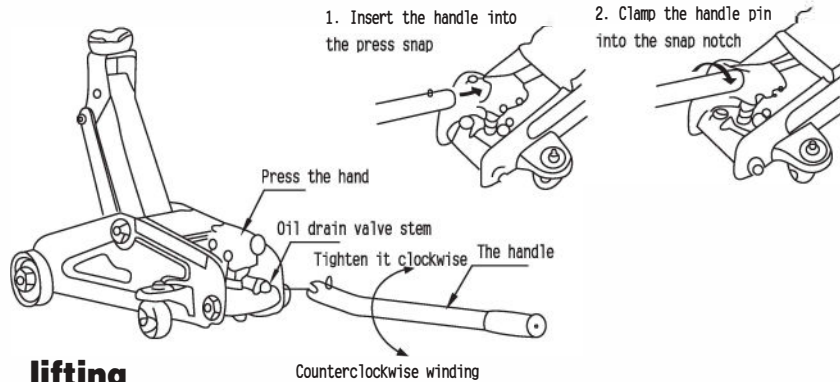
1. When the jacking object is supported only by this equipment, do not work above or below it or around it.
2. It can only be jacked on the surface specified by the vehicle manufacturer.
- 3, Before lifting the vehicle, please put the vehicle brake in the working state, and cushion the wheel.
4. Do not lift unsupported vehicles (such as travel trailers, campers, etc).

Please read carefully where there are "safety instructions" and "Warnings". If you do not follow the warning instructions and operation methods, you will be in danger Safety or property damage.

Operational guidelines for school official cites use

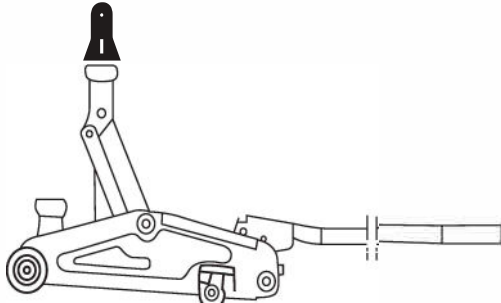
Ready to use

1. Adjust the oil discharge valve with the front end of the handle, and turn clockwise to close the oil discharge valve of the jack for lifting function; Counterclockwise rotation opens the jack drain valve for lowering the jack.
2. Insert the front end of the handle with the pin into the snap hand, and slightly rotate clockwise to clamp the pin of the handle into the snap closing groove.



lifting

1. Put the handle into the oil discharge valve stem, rotate the handle clockwise until the oil discharge valve is closed, do not tighten too much;
2. The jack is placed under the jacking, so that the tray can firmly contact the load, slightly in the load, check whether the load falls in the centre of the tray, so that when used, the jack will not slip.



3. The handle moves up and down to lift the jacking object. In the process of lifting, the jack wheel is mobile to ensure that there is no obstacle.
4. Lift to the required height, please put in the safety bracket, to ensure safety.

landing

1. Carefully remove all tools and parts from the bottom of the jacking.
2. Place the jack tray under the lifting point, and then rotate the handle clockwise to lift the jacking object to the overhead safety support, and then carefully remove the safety support.
3. Slowly turn the handle counterclockwise (the descent speed is controlled by the opening degree of the drain valve) to slowly lower the jacking to the ground.
4. After lowering the jack completely, store it in a safe, dry place out of reach of children.

The maintenance

If the jack is found to be damaged or abnormal in any way, please do not use it until it is repaired by professionals.

The hydraulic oil:

Please use good quality hydraulic oil (13# high quality hydraulic oil), do not mix different hydraulic oil, do not use other types of oil or liquid. When refilling, do not get dust and dirt into the hydraulic system. Check the hydraulic system every four months to ensure no rust, and the hydraulic oil must be replaced every three years.

Lubrication:

In order to keep the jack in good working condition, please regularly add lubricant to the following lubrication points:

- Press the hand hole
- Front and rear wheels
- Snap pin shaft
- Pump core pin
- All joints of the arm body

Storage:

Clean the jack, lower it completely and store it in a safe, dry place out of reach of children and unauthorized personnel.

troubleshooting

When repairing the faulty jack, it is necessary to be careful to keep a safe distance with the jacking.

Ask for professional inspection and repair. All faults must be resolved before re-use.

Quick troubleshooting Tips:

Symptoms that occur					The solution (Ensure that the jack is free of load)
The jack cannot be lifted Rise to the highest altitude	The jack can't To support the load	The arm body not Can land	When lifting jack Cap with vibration	Oil plug in The spill	
✓	✓				Check that the drain valve is completely closed Drain the gas from the system Dust into the hydraulic system, please professional maintenance The hydraulic oil in the cylinder is too little, check the oil level, Refuel if necessary
		✓			Return spring damage; Piston rod stuck; Oil drain valve Rod damage, please professional repair
			✓		Drain the gas from the system
				✓	There is too much hydraulic oil in the cylinder. Check the oil level. Adjust as needed