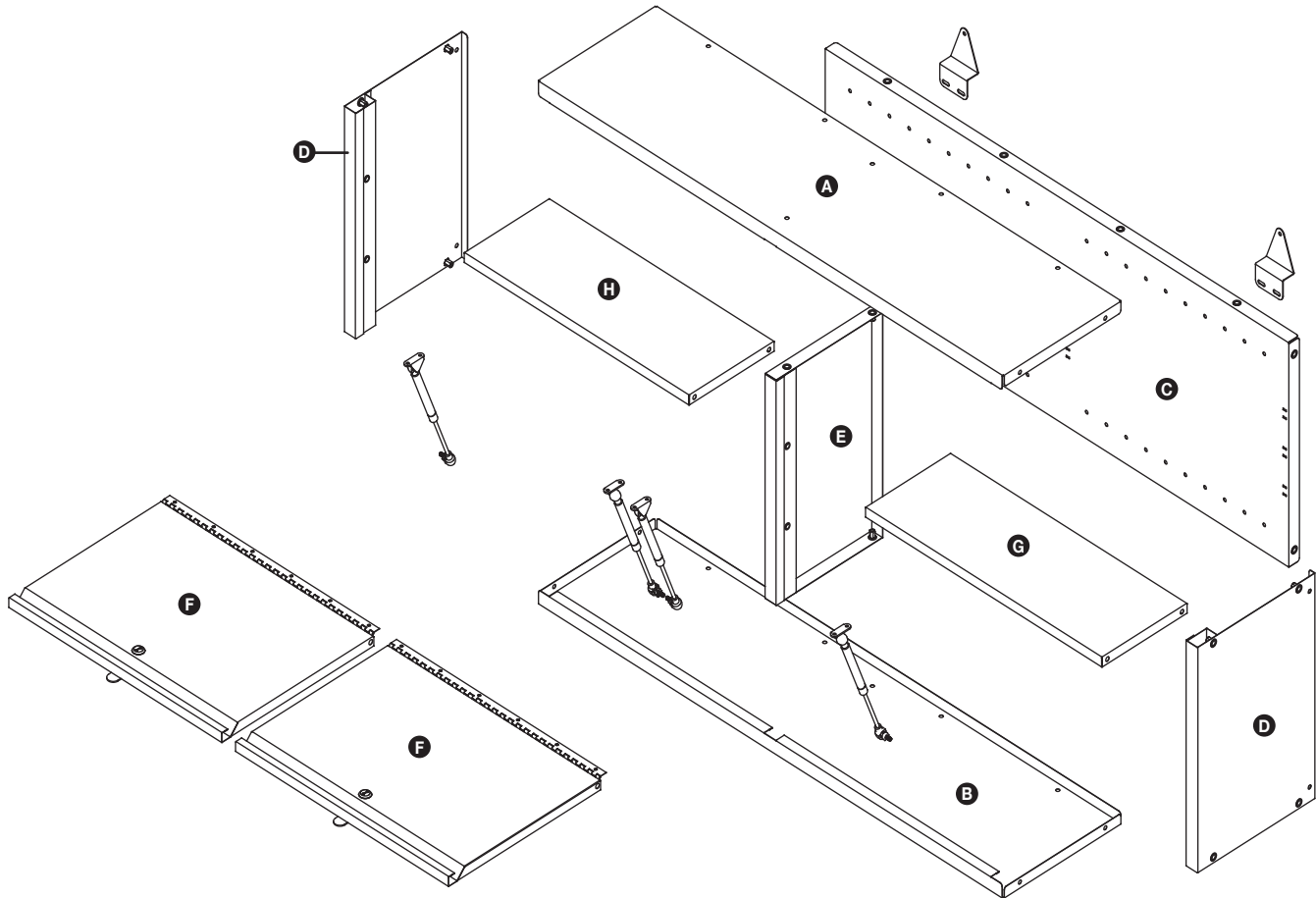


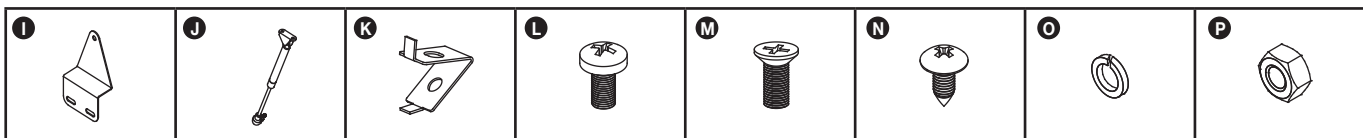
Guide to Assembly & Usage

BiGDUG | Garage Cabinet System – GLWC121



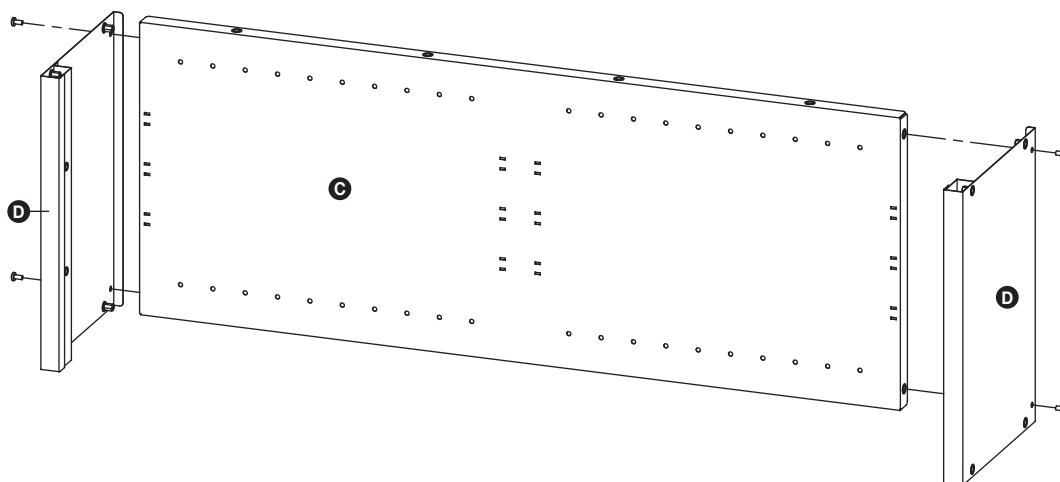
COMPONENT CHECK LIST

Component	Quantity	Component	Quantity
A Top panel	1	I Wall bracket	2
B Bottom panel	1	J Gas strut	4
C Rear panel	1	K Shelf bracket	8
D Side panel	2	L M6 12mm bolt	28
E Centre Panel	1	M M5 12mm bolt	8
F Door	2	N ST 4.2x9.5 screw	12
G Right hand shelf	1	O M6 spring washer	4
H Left hand shelf	1	P M6 nut	4

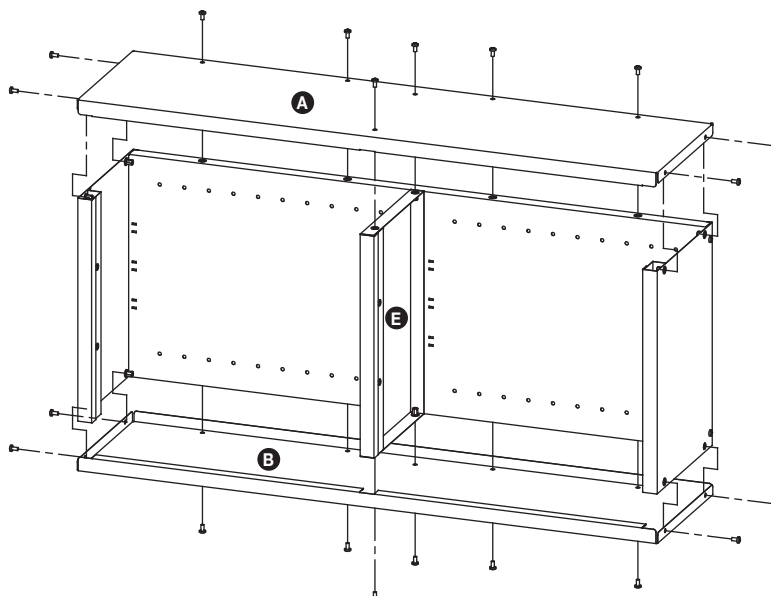


Assembly - BIGDUG® Garage Cabinet System – 1200mm Wall Cabinet

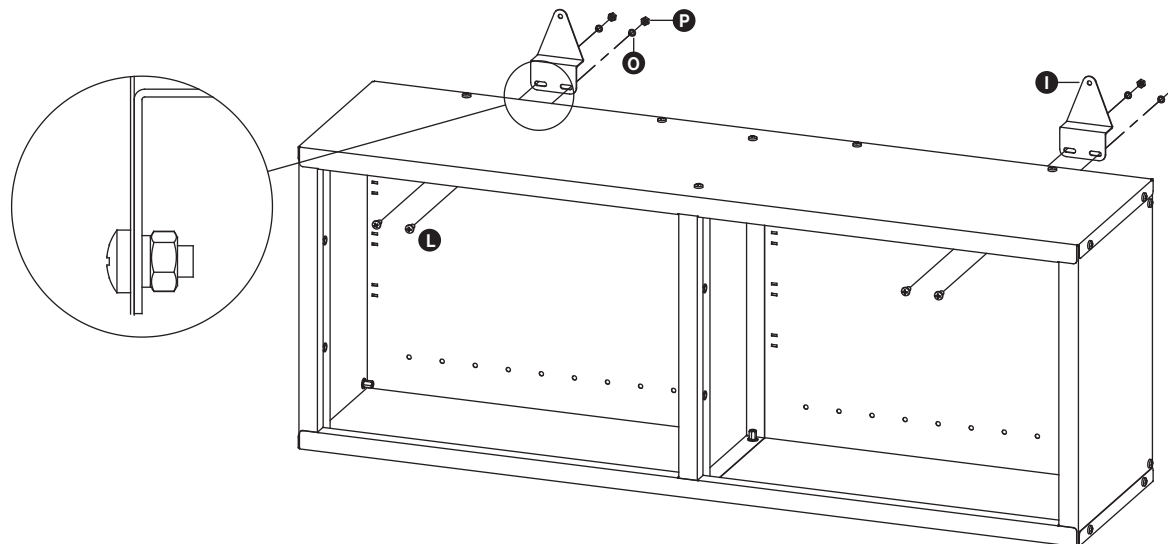
1 Slide the sides panels **D** over the rear panel **C** and attach using fixings **L**.



2 Attach the bottom panel **B**, centre panel **E** and top panel **A** to side panels and rear panel, secure using fixings **M**.

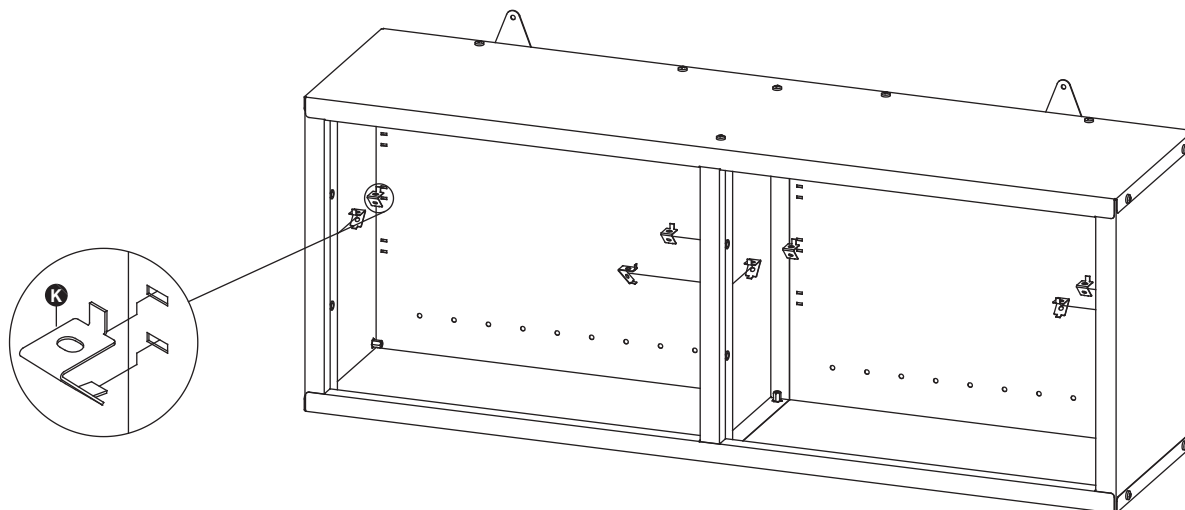


3 Attach wall bracket **I** through rear panel **C** using fixings **L**, **O** and **P**.

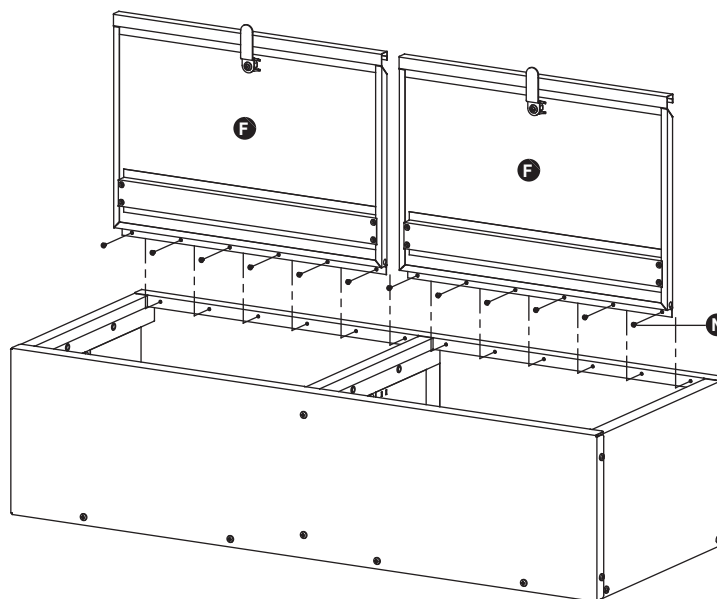


Assembly - BIGDUG® Garage Cabinet System – 1200mm Wall Cabinet

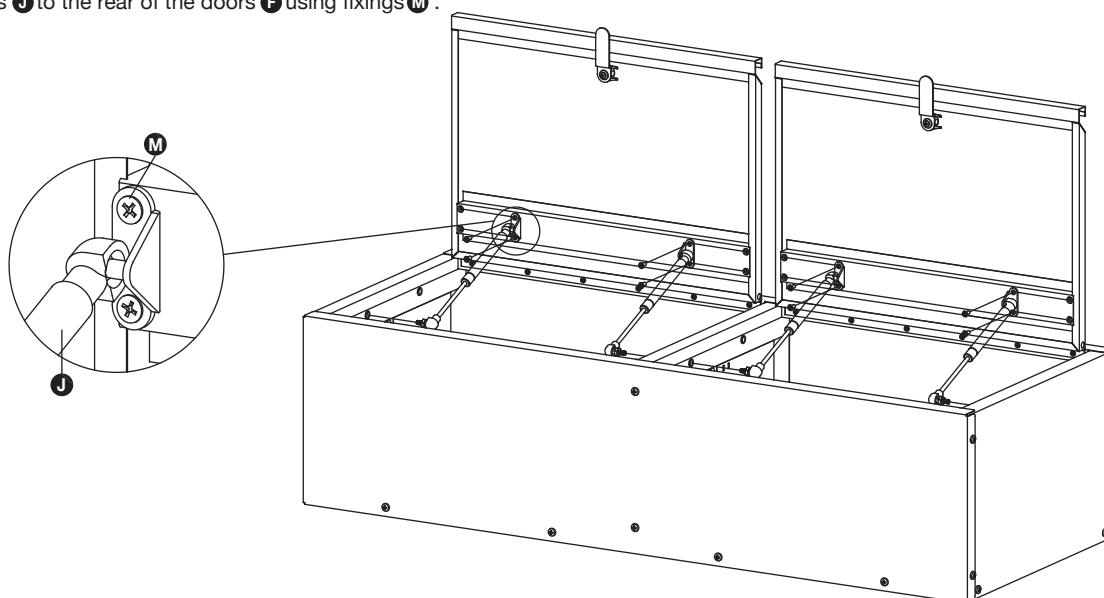
4 To fit the shelves insert shelf brackets **K** into the desired location.



5 Attached door **F** by screwing the hinge to the top panel **A** by using screws **N**.

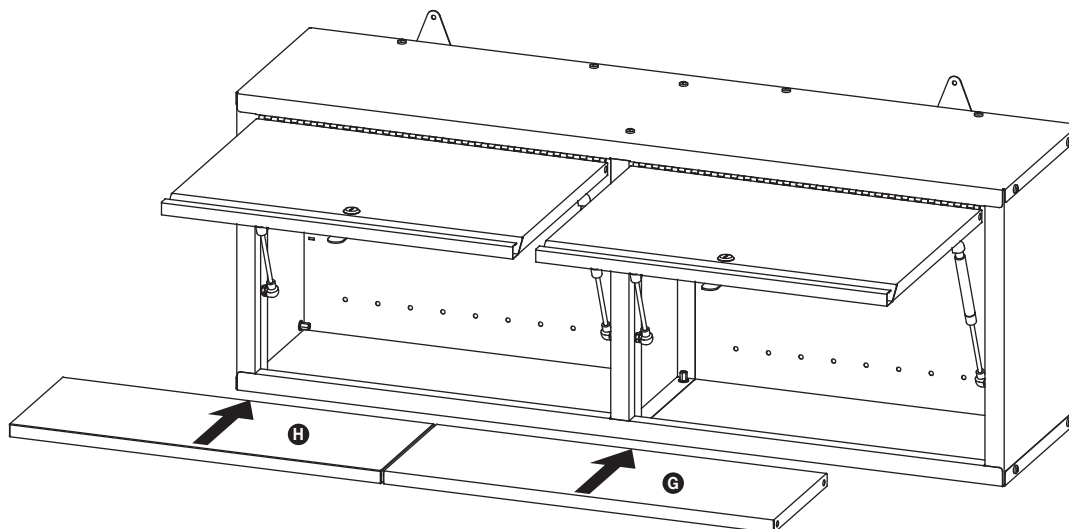


6 Fit the gas struts **J** to the rear of the doors **F** using fixings **M**.



Assembly - BIGDUG® Garage Cabinet System – 1200mm Wall Cabinet

7 Manoeuvre the left hand shelf **H** and right hand shelf **G** into place.



8 Fix to the wall using the appropriate fixings.

