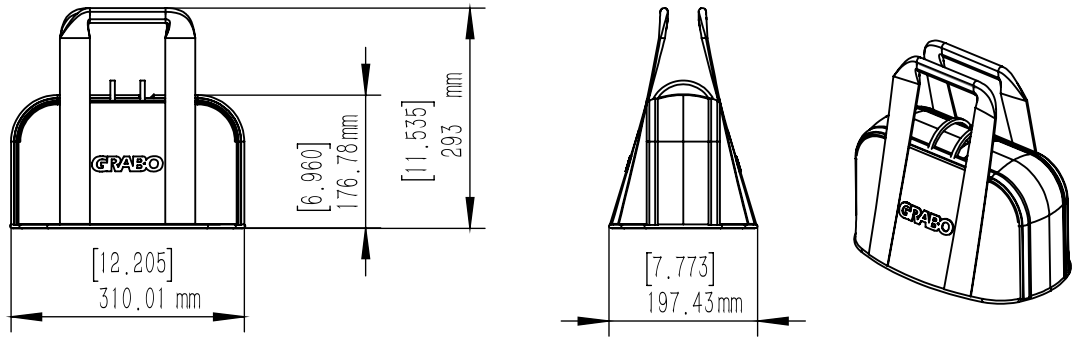


FABRIC BAG HEAVY LIFTING MADE EASY



Specifications:

L x W x H	12.5 x 8 x 6.5" (315 x 200 x 165 mm)
Weight	1 Lbs (~0.4 kg)
Material	Polymer Oxford Fabric, 3 plies, 0.1" (3 mm) thick
Color	Black
Waterproof Level	IP4 – waterproof against direct splashes and mild rain
Features	Quick close / open double-sided zipper 2 inner compartments Hard bottom

