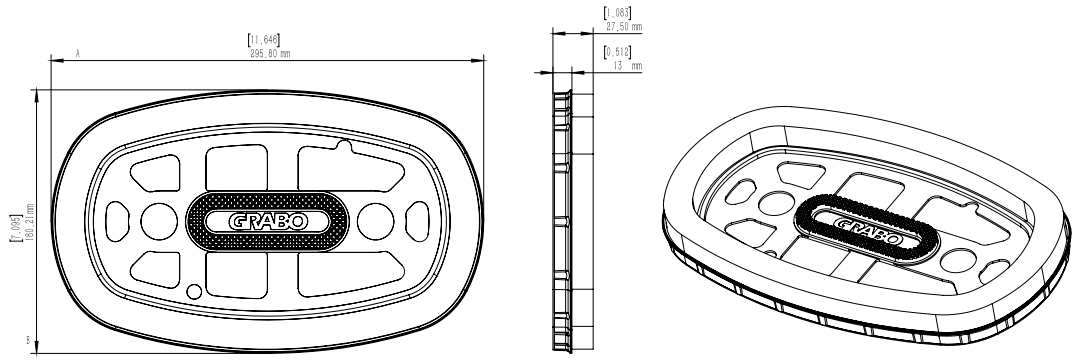


ROCK SEAL HEAVY LIFTING MADE EASY



Specifications:

Material	Laminated SBR rubber foam sponge
Color	Black
L x W x H	11.5 x 6.9 x 1.12" (293 x 175 x 28.5 mm)
Weight	0.6 Lbs (0.23 kg)
Working temperature	32 F ~ 140 F (0 C ~ 60 C)
Recommended Storage Temperature	Room temperature
Applicable Surface Type	Peak/valley heights less than 0.4" (10 mm)
Features	Patented technology design

Lifting Capacity:

Material	Glass	Metal	Wood	Rough Slate	Rough Concrete
Direction					
Perpendicular Hold 	375Lbs (170 kg)	308Lbs (140 kg)	220Lbs (100 kg)	176Lbs (80 kg)	176Lbs (80 kg)
Parallel Hold 	265Lbs (120 kg)	198Lbs (90 kg)	143Lbs (65 kg)	176Lbs (80 kg)	176Lbs (80 kg)

