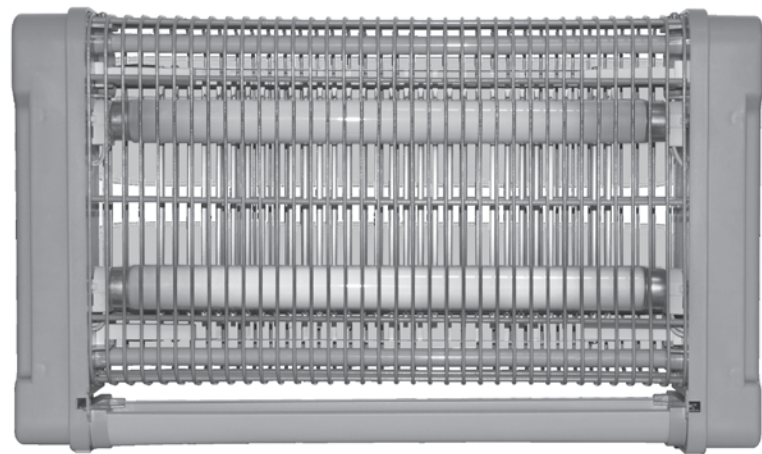


ZERO
IN
**ULTRA
POWER**

LIKE THE PROFESSIONALS USE

**HIGH VOLTAGE FLYING INSECT
KILLER INSTRUCTIONS**



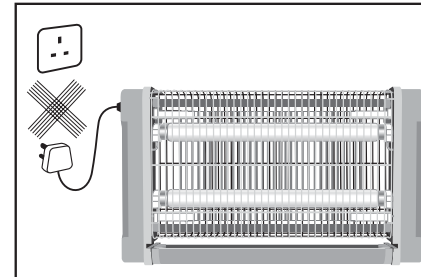
ZER570

Please read and keep these instructions for future use.

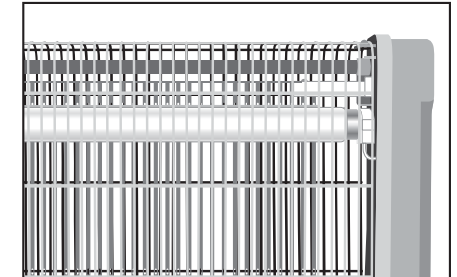
Waste electrical products should not be disposed of with household waste. Please recycle where facilities exist. Check with your Local Authority or retailer for recycling advice.

REPLACING THE UV TUBES

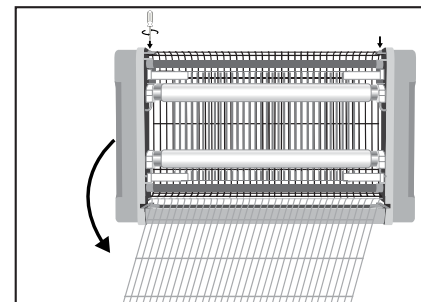
The UV tubes in this device have a life approximately 8,000 hours. For best results, replace the UV tubes annually.



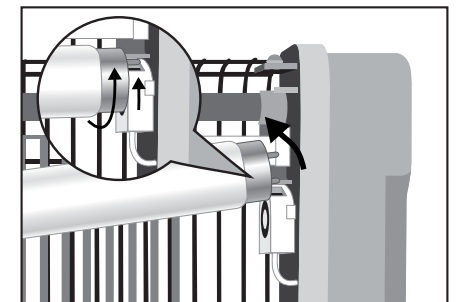
1. Unplug the unit and place it on a clean, level surface



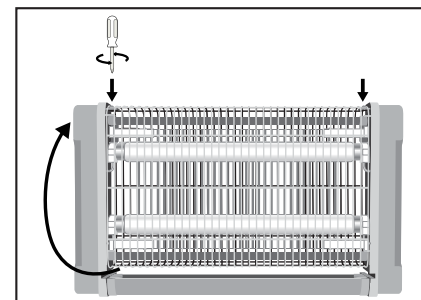
2. Position the unit so the kill grid is behind the UV tubes



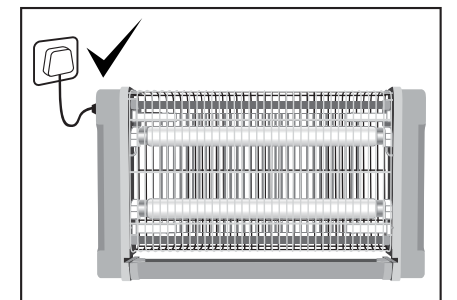
3. Remove the two retaining screws (screwdriver not included). Carefully lever the outer safety cage over the plastic lugs on each side. Swing the safety cage down to access the UV tubes



4. Carefully rotate the UV tube 90° so that the brass connectors are visible in the mounting plate slot. The UV tube can now be lifted out and replaced. Once the new UV tube is in the mounting plate slot, rotate 90° until the tube clicks softly into place



5. Replace the other UV tube if necessary. Lift the outer safety cage back into place and push it up onto the plastic lugs. Replace the two retaining screws, taking care not to over-tighten



6. The unit is ready for use again

CAUTION:

- High voltage parts inside. Only suitably competent persons should change the UV tubes in this unit. If in doubt, consult a qualified electrician
- Unplug the unit before attempting to change the UV tubes
- If the unit is damaged in any way then it should be disposed of safely
- Use only F10T8 BL368 replacement tubes
- Dispose of old tubes safely in accordance with local regulations

