

Product Datasheet model uvex ultrasonic planet 9302290

Stand 08/2023

**UVEX ARBEITSSCHUTZ GMBH, Würzburger Str. 181-189,
D-90766 Fürth****1. Product Characteristics**

- functional safety goggle with panoramic lens suitable for a wide range of applications
- soft, flexible face seal naturally moulds to any facial shape
- generous internal volume to accommodate prescription spectacles and ensure a comfortable fit
- indirect ventilation system increases air circulation
- length-adjustable textile headband for a secure fit and individual adaptability
- robust polycarbonate lens with uvex's proven supravision coating technology – permanent anti-fog and scratch-resistant lens
- UV400 – 100 % protection against dangerous UV radiation up to 400 nm
- metal-free

2. Technical Details Body

Frame

Material	Material	Sustainability aspect
	PP	/
	TPE	proportionally post-consumer-recyclate
Version	indirect ventilation	
Colour	anthracite, jade	


Headband

Material	Material	Sustainability aspect
	textile	proportionally recycled material
	PC-PBT <small>(headband hooks)</small>	proportionally recycled PET
	PA <small>(headband slider)</small>	proportionally bio-based material
Features	individually adjustable	
Colour	anthracite, jade	

Marking

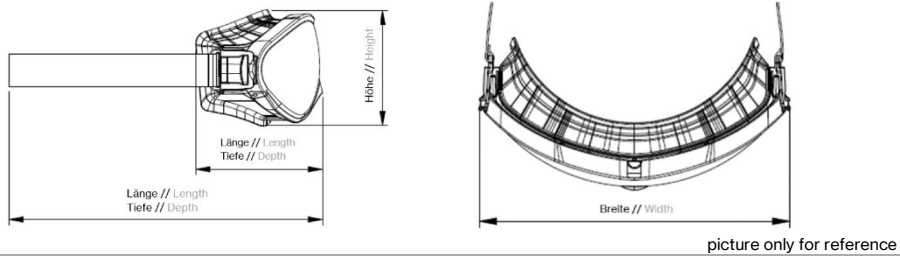
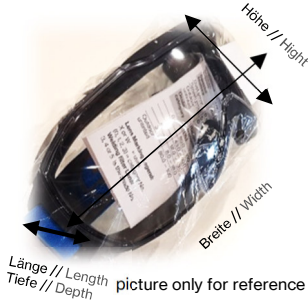
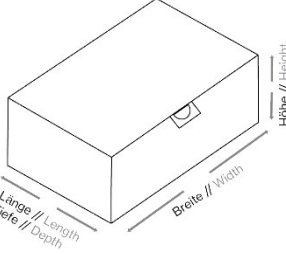
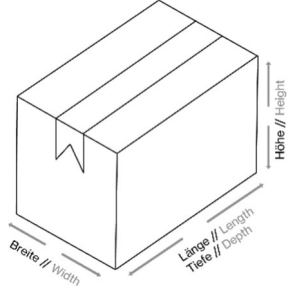
Manufacturer 's ID code	W
Applicable EN norm	166
Field of use	3 (drops and splashes of liquid) 4 (large dust particles)
Impact resistance	B (120 m/s)
Conformity symbol	CE

3. Technical Details Lens

Material	PC, mass balanced
Thickness	2.2 mm at PD
Coating	uvex supravision excellence
Colour	clear
UV protection	UV400
Marking	
Filter	2C-1.2 (EN 170)
Manufacturer 's ID code	W
Optical class	1
Impact resistance	B (120 m/s)
Scratch resistance	K
Antifog	N
Conformity symbol	CE
Factory symbol	

4. Logistical Information

Product

Weight	83g		
Dimensions (L x W x H) in approx. mm			
	89 x 181 x 81		
Length total (incl. Headband)	220 x 181 x 81		
	Packing unit 1	Packing unit 2	Packing unit 3
EAN Code	4066853001331		
Quantity in pcs.	1	4	72
Dimensions (L x W x H) in approx. mm			
	90 x 185 x 85	185 x 290 x 78	600 x 400 x 400
Net weight in approx. g	83	332	5,976
Gross weight in approx. g	101	500	9,900
Country of Origin	Germany		

5. Miscellaneous

Standards	EN 166 + EN 170
PPE Category	Category II

*Unit: CO2 equivalent • Calculation basis: IPCC 2021 17 GWP 100a (based on ISO 14067) SimaPro 9.4.02 Database ecoinvent 3.8 • Calculation transport: Transport of the product incl. distribution surcharge of the product group • The CO2 values stated apply to the calculation period and may be subject to permanent changes • Scope: cradle-to-customer