



## CUSTOMER INFORMATION

### Glove Dispenser

#### Description:

Our wall mounted Glove Dispensers are suitable for all Supertouch glove boxes, offering a compact and hygienic way to store and dispense your disposable gloves.

- Hygienic plastic construction
- Clear plastic
- Sized for 100-glove dispenser boxes
- 1 or 4 box capacity
- Washable
- Suitable for wall fixing

#### Applications:

Hygiene rules, controlled areas

#### Colourways:

**C** Clear

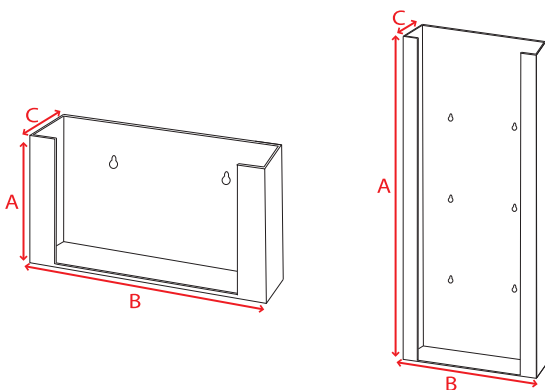
#### Product Codes:

50201	One Size	1 Box Dispenser - Clear
50204	One Size	4 Box Dispenser - Clear

#### Standards:



EC Council Directive 89/686/EEC



#### Size Chart:

Measurements in mm	50201	50204
Length (A)	140	530
Width (B)	255	255
Height (C)	90	90