

FIRECHIEF® SMOKE ALARM 10 YR SEALED BATTERY

FIRECHIEF®
making the world a safer place

MODEL:
FBSD10



- Photoelectric Sensing Technology
- Red LED Alarm Status Indication
- LPCB Approved to EN 14604:2005 AC:2008
- Suitable for ceiling mounting
- Low battery warning
- Easy fit with separate base mount



EN14604:2005/AC:2008
Licence No.1471a/05

**UK
CA** **CE**

0832

2831



3-YEAR
WARRANTY



10-YEAR
BATTERY LIFE



AUDIBLE &
VISUAL ALERTS

FIRECHIEF® SMOKE ALARM 10 YR SEALED BATTERY



This smoke detector has advanced photoelectric sensing technology and a red LED alarm status indicator, ensuring prompt detection and warning of a fire.

Designed for residential use, it features a low battery warning and an easy-fit base mount, meaning it can be installed quickly and maintained easily.

What do I need, and where?

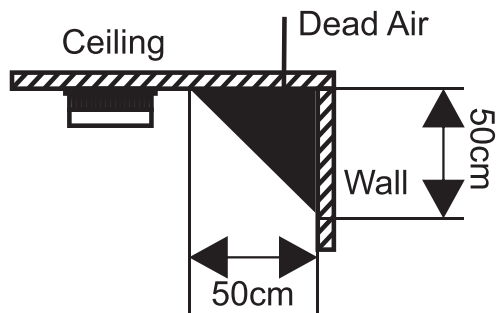
Based on current best practice, and ongoing legislative reforms, the Firechief® Home Safety Team recommends that you should:

Install Firechief® smoke alarms in the rooms most frequently used during the daytime, such as living rooms, dining rooms, and bedrooms.

Install Firechief® smoke alarms in every circulation space on each storey such as hallways and landings.

MODEL: FBSD10

INSTALLATION



SPECIFICATION

Model	FBSD10
Product Code	117-1099
Description	Firechief® Smoke Alarm 10 Yr Sealed Battery
Power	DC 3V (Built in CR123A battery, non replaceable)
Alarm Volume	>85dB at 3 metres
Hush/Silence Time	8-9 minutes
Battery life	10 Years
Certification	LPCB Approved to EN 14604:2005 AC:2008
Sensor	Photoelectric
Product lifespan	10 years after initial activation
Temperature	-10°C - +55°C
Dimensions (mm)	Φ 100*34.8mm

