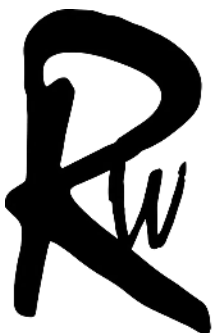


FOLDABLE STEEL RAMP



Rocwood

Instruction Manual

® NOTE: PLEASE READ INSTRUCTIONS CAREFULLY BEFORE USE.

INTRODUCTION

Please read and save these instructions. Carefully read before using the product. Protect yourself and others by observing all safety information, warnings and cautions. Failure to comply with the instructions could result in personal injury and/or damage to the product or property.

SAFETY INSTRUCTIONS

**These instructions are subject to changes.*

1. Check the ramp before using and look out for any damage.
2. Should you find any damage, do not use the ramp. Contact the manufacturer or specialist for repair.
3. Always pay attention when loading.
4. Wear protective clothing such as gloves, work boots and eyewear.
5. Keep children and other bystanders clear from the working area.
6. Do not exceed the maximum loading capacity: 600KG PAIR (300KG PER RAMP)
7. Do not jump on the ramp.
8. Do not step under or behind the ramp while loading.
9. Do not work under the influence of drugs, alcohol or if you are tired.
10. Always make sure the ramp is stable and secure before loading.
11. All maintenance work has to be done by a specialist
12. Always use the ramp on a flat and hard surface.
13. Make sure the flat end of the ramp is on the ground and that the plated end is firmly planted on the loading area or trailer.
14. Clean the ramp after use as dirt and oil can cause the ramp to lose grip.
15. Do not load a vehicle while the engine is running. Let vehicles cooldown before loading.
16. Keep packaging material out of reach of children.

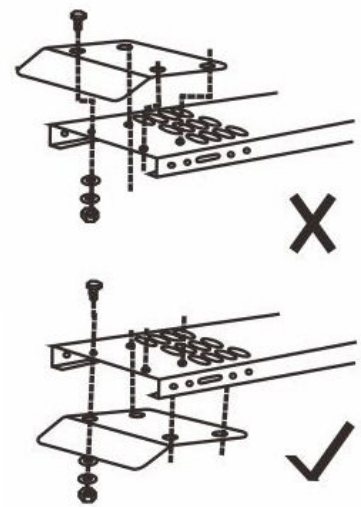
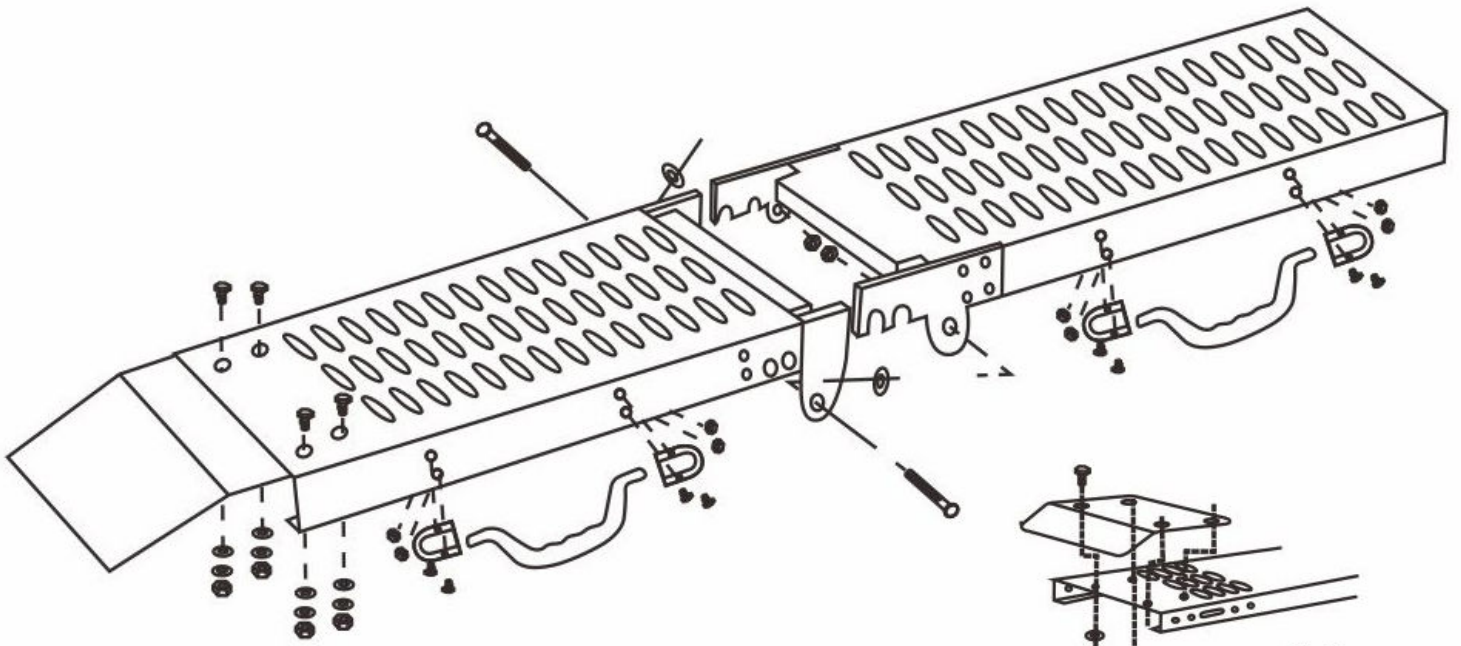
RIGHT USAGE

1. The ramp is suitable for quads, motorcycles, mowers, ...
2. The ramp is NOT suitable for cars
3. Maximum capacity 400KG per pair (200KG PER RAMP)

CLEANING AND MAINTENANCE

1. Use a damp cloth or brush to clean the ramp free of dirt, grease and oil.
 2. Check the ramp regularly for any damage.
 3. Always secure all nuts and bolts before use.
-

ASSEMBLY



SPECIFICATIONS

Unfolded Size: 180cm x 22.5cm x 4.5cm

Folded Size: 91.5cm x 22.5cm x 9cm

Max Loading Capacity: 400KG/Pair (200KG Per Ramp)

Weight: 36.4lbs (16.5KG)

DISPOSAL INSTRUCTIONS

Please make reference to the guidelines and standards for appropriate disposal of the packaging valid in your region. The packaging may consist of plastic bags which should be kept out of reach of children and animals as they are a choking hazard.

*Equipment must be disposed of in accordance with the rules and regulations of your local waste disposal.
