

Guide to Assembly & Usage

Steel Worktop

Information
If in doubt, contact your supplier

Read this guide thoroughly before commencing assembly and retain for future reference

Before commencing assembly, unpack carefully and check that all components ordered are included

Assembly should be undertaken by a minimum of two competent people

Caution
During assembly, ensure to:

Take care during assembly and in use, particularly when lifting or stretching and when using tools

Wear appropriate safety clothing – protective gloves and footwear are recommended

Build on a suitable level floor, which is strong enough to support the load and allow adequate working space

Dispose of packaging materials responsibly

Warning
Rules for the safe use of tool trolley:

Ensure these instructions are retained for reference and that users are aware of the rules for safe use

Warning! Ensure Health & Safety, local authority, and general workshop practice regulations are adhered to when using this workbench

Never climb on the structure or stand on the tool trolley

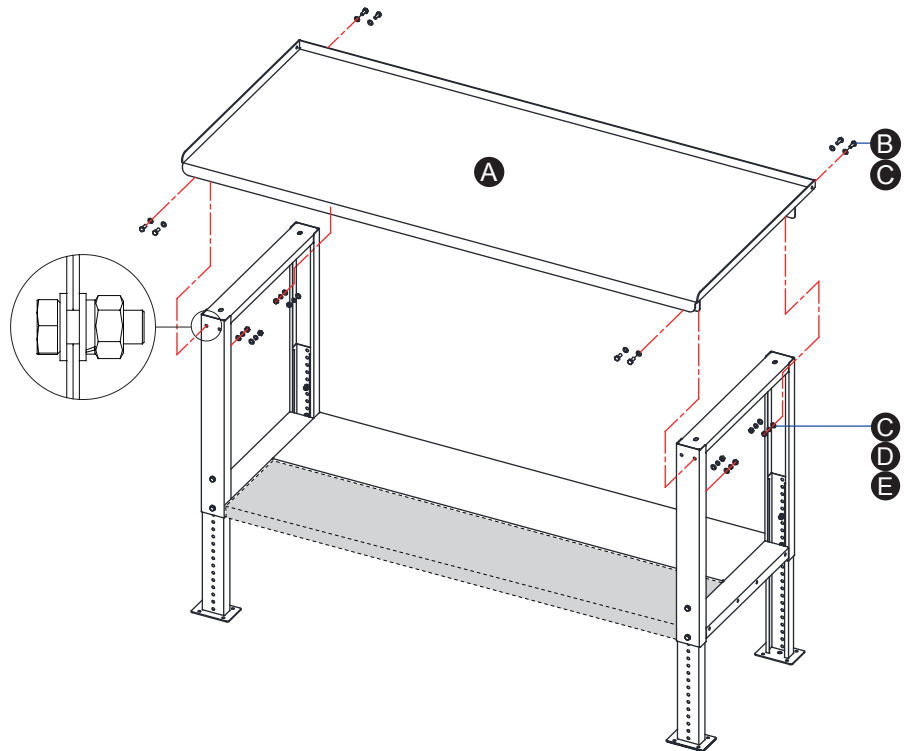
Do not use workbench for any other purpose other than that for which it is designed

Do not use in damp or wet conditions

This product is designed for hand loading only

Ensure that the maximum load carrying capacities are not exceeded

BDWBSW126G
BDWBSW127G
BDWBSW176G
BDWBSW177G



COMPONENT CHECK LIST

Component	Quantity
A Steel Worktop	1
B M8 x20 Bolt	8
C Ø8 Plain Washer	16
D Ø8 Spring Washer	8
E M8 Nut	8

Note: Illustrations not to scale

Shelving is safe when used responsibly. If in doubt, contact the supplier.