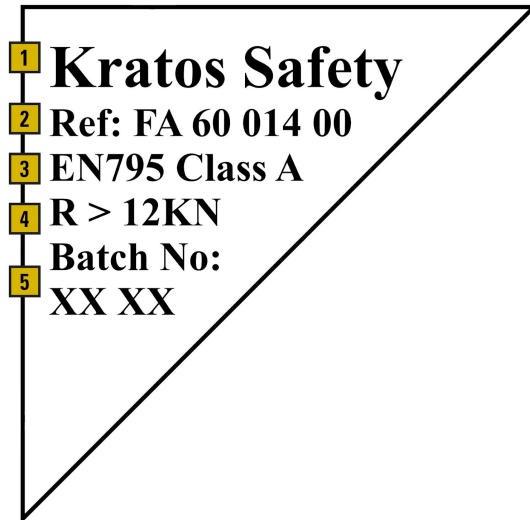


LABELLING

1. Manufacturer's name
2. The product reference
3. The number of the standard to which the product conforms
4. Minimum resistance of the product (kN)
5. The batch number



USE AND PRECAUTIONS

The Kratos Safety anchor point complies with requirements of the European standards EN 795 (anchoring device - class A1), it is aimed to be fixed on a vertical host structure (preferably a metallic one) to connect some P.P.E. against the fall of person during works at height through a connector (EN362). This anchor point can only be used by one person at a time.

The anchor point has one hole of diameter 13 mm to allow its fixing on the host structure. The anchor point has no up / down. It is delivered with its threaded rod and its means of attachment (lock nut, washer); it is essential for safety reasons to use those elements properly or to replace them by elements with perfectly identical characteristics.

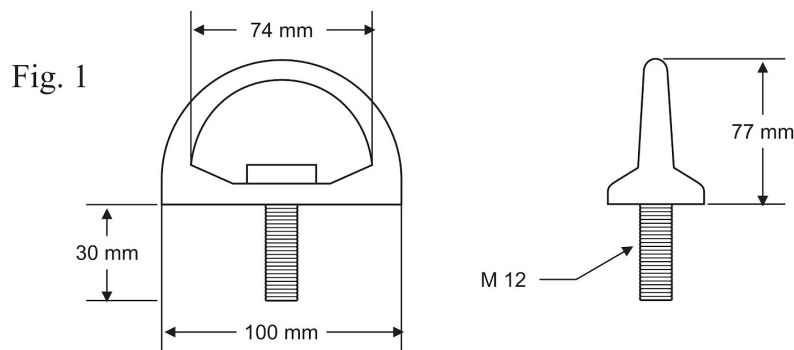
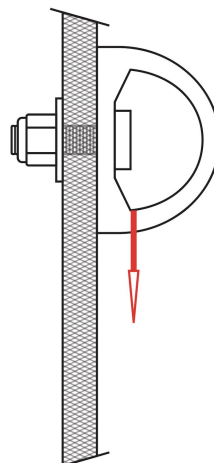


Fig. 2



POSITION

The location of the anchor point has to be chosen so as to allow its safe connection/disconnection.

The location will take into account:

The clearance needed by the fall arrest system connected to the anchor point.

The risk linked to the pendulum effect in case of fall

The fall factor.

Make sure that in case of fall the effort is applied in the direction indicated on figure 2. There should not be any pulling force / twisting on the central axis.

INSTALLATION

Drill a 13mm diameter hole in the anchoring structure, fix the anchor point on the anchoring structure with the provided screw products (12 mm diameter screw, washer, and lock nut). The minimum breaking strength for axial pull-out force must be at least 11 kN. The whole flat surface of the anchor point must be in contact with the host surface (see Figure 3).

In Accordance with Annex of the EN 795 Standard.

- For fixings in steel work, the design and installation data should be verified beforehand by calculation by a qualified engineer, in order to make sure the assembly is compatible with the effort applied as part of the type test.
- For fixings in other structural materials, the installer should verify the suitability of the structural materials by making a type test on a sample of the material in question.
- In every instance, we recommend submitting every structural anchor (threaded rod), once it is installed in the material in question, to an axial pull-out force of 5 kN to confirm the solidity of the fixing. The structural anchor should sustain the force for a minimum of 15 s.
- User safety relies on the effectiveness of the equipment and full understanding of the safety instructions contained in this leaflet.
- Before and during use, we recommend that you take all the necessary precautions for a safe rescue should it be needed.
- This equipment is for the sole use of people trained, skilled and in good health, or under the supervision of a trained and skilled person. **Warning!** Certain medical conditions may affect user safety; if in doubt, consult your doctor.

Before each use, please check: the condition of the fixings and the anchor point, they must be in apparent good condition, without marks, shocks, deformations, oxidation... The marking should be visible. In case of doubt, the anchor point has not to be used any more. Do not remove, add or replace any component of the product whatsoever (anchorpoint, threaded rod, washer, lock nut).

CHEMICAL PRODUCTS

Put the system out of use if it comes into contact with chemical products, solvents or fuels which could affect its workings.

TECHNICAL DATA

Material: Wrought and processed steel. Weight: 450g (without screw products). Static resistance > 22 kN in the main direction for use (see Figure 2).

Dynamic test: fall of 2.5 m with a mass of 100kg connected to a 2 m lanyard.

Kratos Safety certifies that the anchor point has been tested in accordance with the standard EN 795 A1.

SUITABILITY FOR USE

A fall arrest harness (EN361) is the only body gripping device that may be used. It may be dangerous to create one's own fall arrest system where each safety function can interfere with another safety function. Therefore, it is important to read the recommendations on using each component in the system before use.

VERIFICATION

Service life of the product is 10 years (in accordance with the annual examination by a competent person authorized by KRATOS SAFETY), but it may be increased or reduced according to use and/or the results of the annual inspections. The equipment should be inspected if there is any doubt, or following a fall and at least annually, by the manufacturer or a competent person authorised by the manufacturer to check its strength and hence the user's safety.

SERVICING & STORAGE

SERVICING AND STORAGE

NO PARTICULAR SERVICING.