

Guide to Assembly & Usage

BiGDUG Cabinet Storage System Corner Base Cabinet

Information
If in doubt, contact the supplier

Read this guide thoroughly before commencing assembly and retain for future reference

Before commencing assembly, unpack carefully and check that all components ordered are included

Assembly should be undertaken by a minimum of two competent people

Tools – Spanner & Screwdriver

Caution
During assembly, ensure to:

Take care during assembly and in use, particularly when lifting or stretching and when using tools

Wear appropriate clothing - protective gloves and footwear are recommended

Build on a suitable level floor, which is strong enough to support the load and allow adequate working space

Dispose of packaging materials responsibly

Warning
Rules for safe use of shelving:

Ensure these instructions are retained for reference and that users are aware of the rules for safe use

Never climb on the structure

Do not lean or support ladders, steps, or other objects

Always use safety steps to reach high items

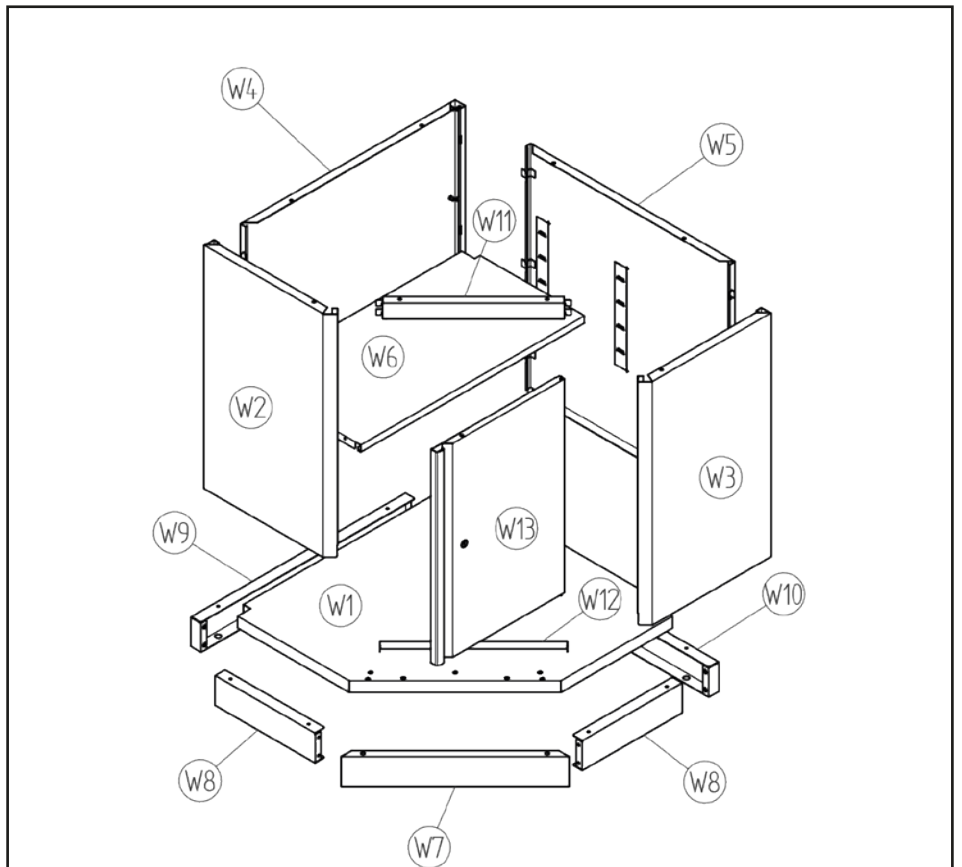
Do not use in damp or wet conditions

Load heavy items on the lower shelves and lighter items on the higher shelves

This product is designed for hand loading only



Ensure that the maximum load carrying capacities are not exceeded

Please refer to the loading information supplied for details

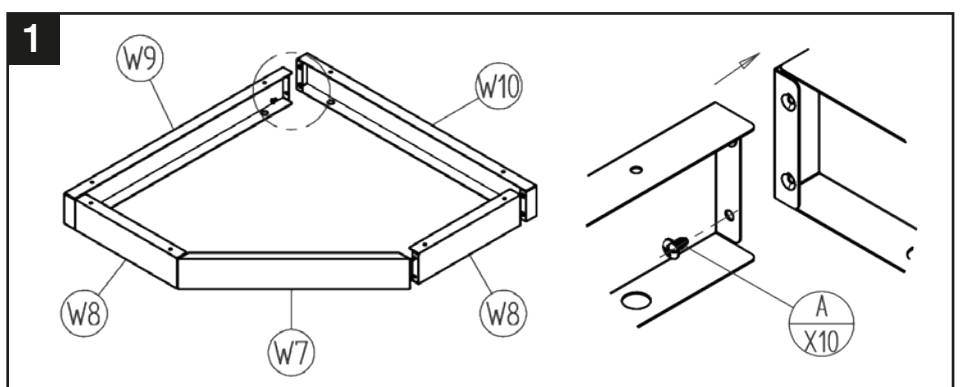


PARTS LIST	
Component	Quantity
W1 Bottom Panel	1
W2 Left Side Panel	1
W3 Right Side Panel	1
W4 Left Back Panel	1
W5 Right Back Panel	1
W6 Adjustable Shelf	1
W7 Base Front Panel	1
W8 Base Short Side Panel	2
W9 Base Long Side Panel	1

PARTS LIST	
Component	Quantity
W10 Base Back Panel	1
W11 Ledge Panel	1
W12 Baffle	1
W13 Door	1

FIXINGS LIST		
Component		Quantity
A Screws (ST6x12)		21+1
B M6x12 Bolt		2

If you have any missing components please take note of the part name and contact your supplier.



BiGDUG Cabinet Storage System - Corner Base Cabinet

