

Lifebuoy Rings

Fitted with SOLAS
Retroreflective Tape

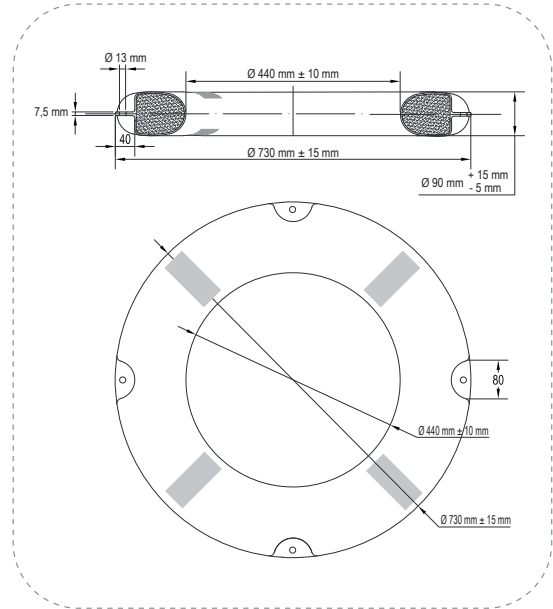


Hard, cross - linked polyethylene outer shell that will not deteriorate and will remain unaffected by extreme weather conditions.



SPECIFICATIONS

Code	70090	70110	700901	701101
Approval	SOLAS/MED		USCG SOLAS	
Weight (kg)	2.5	4	2.5	4
Drop Height (m)	80		80	
Buoyancy	≥ 145 Nt			
Lifebuoy shell / Internal material	HDPE / PU Foam			
Grab line material	PE			
Grab line diameter	9,5		11	
Highly visible colour	YES			
Storage temperature	-30°C up to + 65°C			
Resistant to flame & to diesel oil	YES			
Tested for operation with light & smoke signal	-	YES	-	YES
External/Internal diameter	730 ± 15 mm / 440 ± 10 mm			
Height	90 +15 mm - 5 mm			



Combine with



Plastic Holder for
Lifebuoy Ring,
Set of 3pcs

Code | 01107



CABO Floating
Line, Orange

Codes
94801 | 70260



LALIZAS Lifebuoy
Light SOLAS/MED/
USCG

Code | 71325



LALIZAS Lifebuoy
Light SOLAS/MED/
USCG - ATEX/IECEx

Code | 71326



LALIZAS
Lifebuoy Light
M.O.B SOLAS/
MED/USCG

Code | 70030



LALIZAS Lifebuoy
LED Light STELLA,
SOLAS/MED

Code | 196482

Global Service & Supply Network



- ✓ Global **service network** through owned locations & third-party service providers
- ✓ Global **supply** of **LSA**, **FFE** and **spare parts**
- ✓ Certified quality standards by **major classification societies**
- ✓ **Robust warranty** supported directly by the manufacturer
- ✓ Streamlined **after-sales support** via our ticketing system

Safety is not just a product, it is an ongoing process!