

LALIZAS Foam Folding Lifejacket Compact, SOLAS/MED-MER/TC

Compliant to the latest IMO amendments MSC.554(108), MSC.563(108) and MSC.544(107) for SOLAS-approved lifejackets



Foam Folding Lifejacket Compact provides improved storage options due to its significantly reduced volume and easy-stack profile.



SOLAS/MED approved retro-reflective tape

Adjustable strap (40mm)

Whistle secured with cord

Buddy line

Lifting loop

Crotch strap (25mm)

- Available in two different colours, orange for passengers (adult and child sizes) and yellow for crew (adult size) allowing passengers to easily identify them in case of emergency



In yellow colour for vessel's crew

Code	72214	722141	72215	722151
Type	Adult		Child	
Colour	Orange	Yellow	Orange	Yellow*
Weight (kg)	43 - 140		15 - 43	

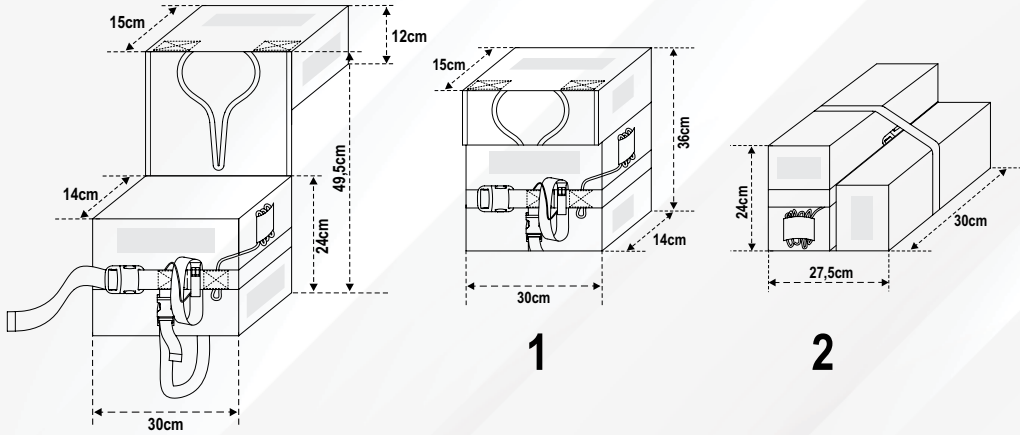
Adult size can be worn by persons with a chest girth up to 175 cm

*For special cases upon request

TC Approval applies only on codes 72214 & 72215

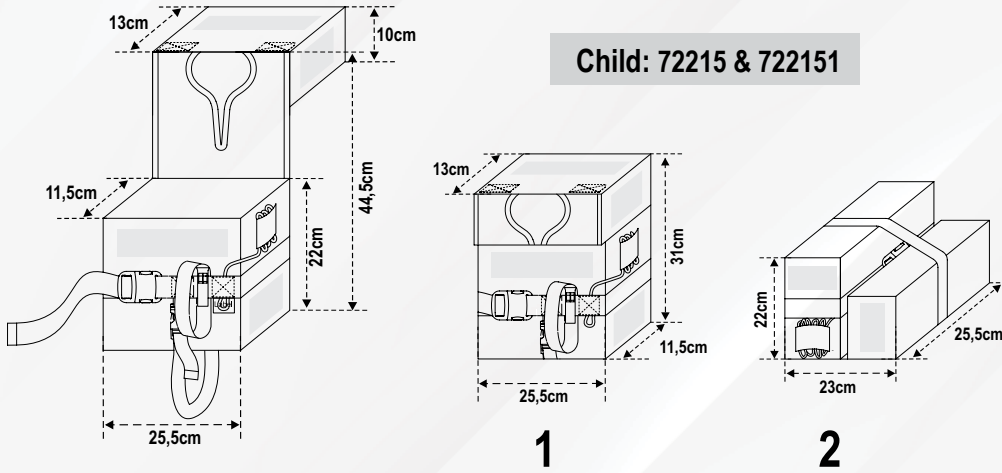
LALIZAS Foam Folding Lifejacket Compact, SOLAS/MED-MER/TC
Multiple Folding Options

Adult: 72214 & 722141



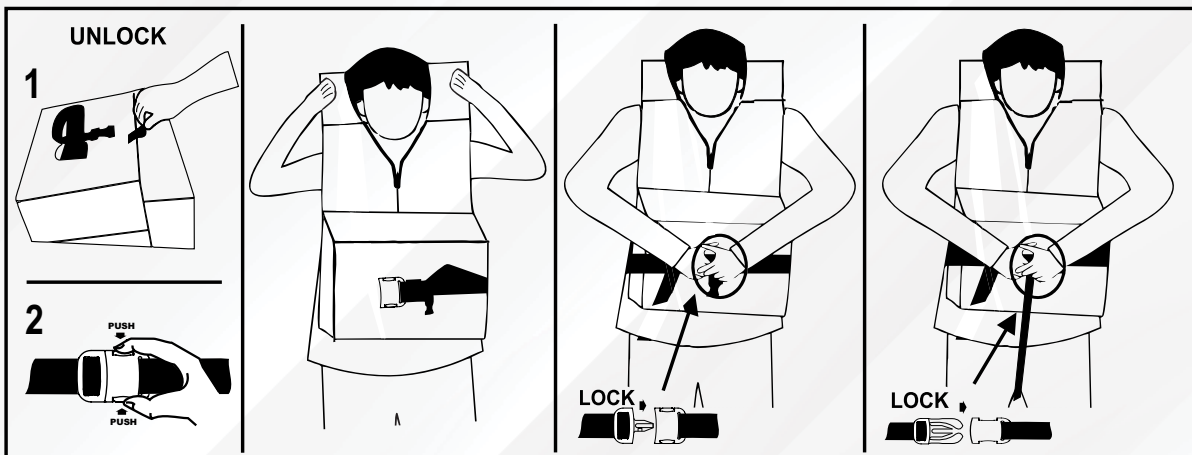
Adult

Child: 72215 & 722151



Child

How to wear



Global Service & Supply Network



- ✓ Global **service network** through owned locations & third-party service providers
- ✓ Global **supply** of **LSA**, **FFE** and **spare parts**
- ✓ Certified quality standards by **major classification societies**
- ✓ **Robust warranty** supported directly by the manufacturer
- ✓ Streamlined **after-sales support** via our ticketing system

Safety is not just a product, it is an ongoing process!