

Guide to Assembly & Usage

BiGDUG Retail Shelving

Information

If in doubt, contact the supplier

Read these instructions thoroughly before commencing assembly & retain a copy for your reference

Inspect all packages for damage and check that all components ordered are included

Assembly should be undertaken by at least two competent people

Tools required – Tape measure, rubber mallet and drill if wall fixing is required

We recommend products over 2000mm high are fixed to the wall where possible

Caution

During assembly:

Take care when handling heavy items, particularly when lifting or stretching

Wear appropriate clothing - protective gloves and footwear are recommended

Build on a suitable level floor surface which is strong enough to support the load

Allow adequate working space and be aware of others working around you

Dispose of packaging materials responsibly

Warning

Rules for safe use of shelving:

Please retain these Instructions for reference and ensure that users understand the rules for safe use

Never climb on the structure or stand on the shelves

Do not lean ladders, steps, or other objects against shelving

Always use safety steps to reach high shelves

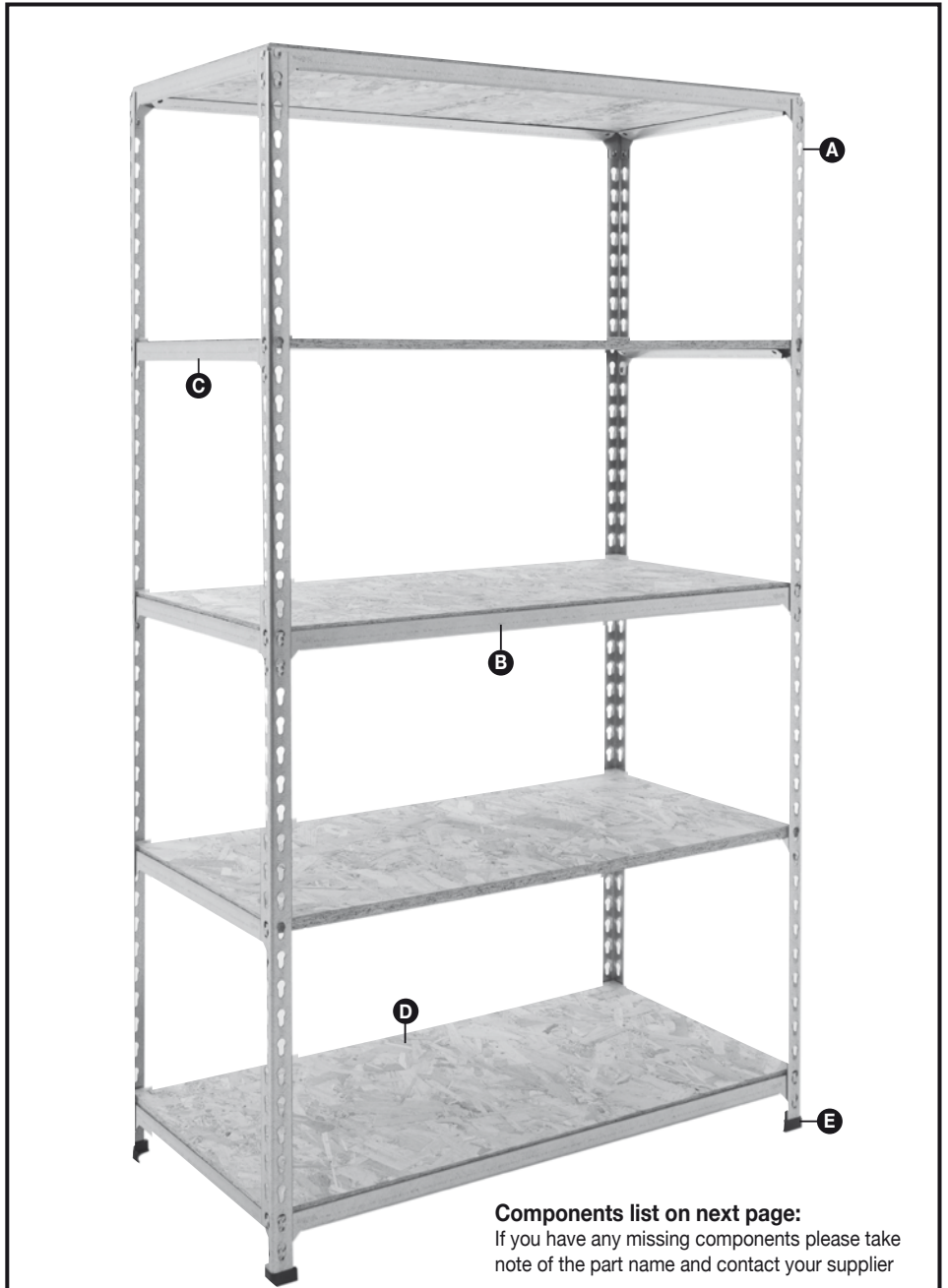
Load heavy items on the lower shelves and lighter items on the higher shelves

This product is designed for hand loading only

Do not use in damp or wet environments

Ensure that the maximum load carrying capacities are not exceeded

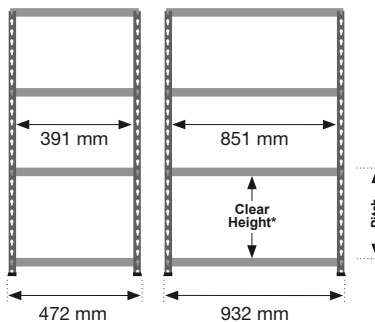
Please refer to the loading chart supplied for details



Components list on next page:
If you have any missing components please take note of the part name and contact your supplier

SHELVING WIDTH






Shelf Width mm	Clear Entry mm	Initial Bay External mm	Next Bay External mm
455	391	465	472
915	851	925	932



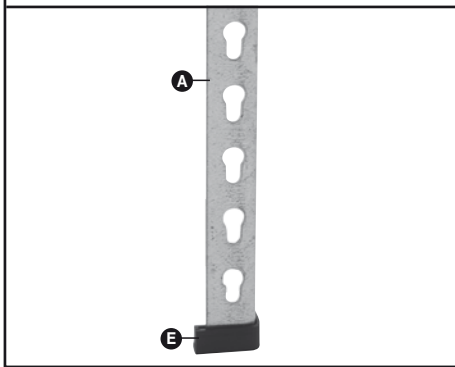
- External Height = H+12
- Pitch = 38.1mm
- *Clear Height Between Shelves = (No. x Pitch) - 30
- All dimensions in mm

Assembly - BiGDUG Retail Shelving

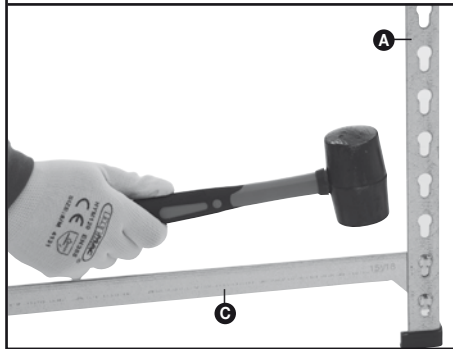
COMPONENT CHECK LIST

						
Number of Levels	Uprights	Front & Back Beams	Side Beams	Boards	Feet	Front & Back Beams Fit on Levels
2	4	4	4	2	4	1 & 2
3	4	4	6	3	4	1 & 3
4	4	4	8	4	4	1 & 4
5	4	6	10	5	4	1, 3 & 5
6	4	6	12	6	4	1, 3 & 6

- 1** Push the plastic foot **E** on the bottom of all the uprights **A**.



- 2** Insert a side beam **C** into the keyholes of the uprights **A** and tap into place with a rubber mallet.



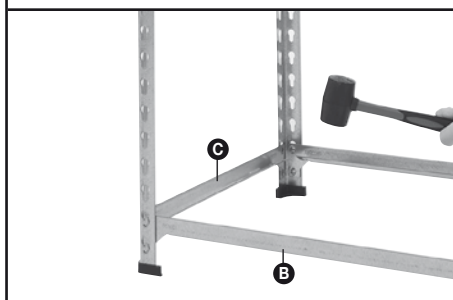
- 3** Continue to insert side beams **C** into the uprights **A** at desired shelf height.



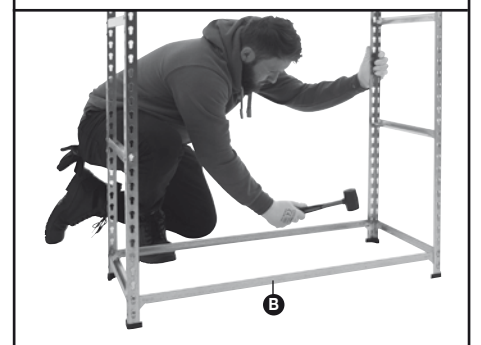
- 4** Repeat steps 2 & 3 until you have a two ladder like frame.
Tip: Use the first frame as a template to ensure you have correctly spaced the side beams.



- 5** Take two front and back beams **B** and insert them into the keyholes of the frame at the same height as the bottom level side beam **C** and tap into place with a rubber mallet.



- 6** Insert the other ends of the front and back beams **B** into the second frame just as in step 5.



- 7** Insert two more front and back beams **B** into the keyholes at the top of the frame creating the top level.



- 8** For the 5 and 6 level bays you will need to insert two more front and back beams **B** (please see component check list).



- 9** Insert the boarding to each level and enjoy your Retail Shelving Bay.

