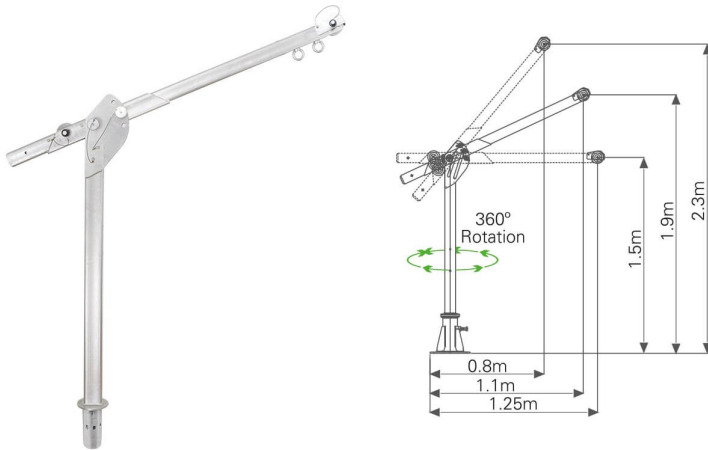
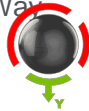


FA 60 022 00 – MultiSafeWay



FA 60 022 00 – MultiSafeWay

MultiSafeWay



STEEL

- 1 person application. Having two eye bolts at lifting arm as attachment points. Can swivel a complete 360 degrees on its mounted base – 8 positions. Lifting arm is adjustable at 3 defined points (2.3m / 1.9m / 1.5m), can be folded against the leg and fixed with the included webbing to facilitate transport of the davit arm.
- Provided with special stainless steel fasteners for fitting of our Winch (FA 60 003 00 or FA 60 023 00).
- **Max Load Capacity:** 300 KG.
- **Lifting Arm:** 1.5m / 1.9m / 2.3m.
- **Breaking Strength:** 16 kN.
- **Resistance:** 15 kN.
- **Conformity:** EN795 Type A.
- **Material:** INOX Stainless Steel.