



Standards

EN405: 2001+A1:2009 FFA1P3 D
CE 0194

Efficiency

P3 >99,95% for 0,3 µm particulate
At 1000 ppm:
A1 >70 minutes cyclohexane (C₆H₁₂)

Shelf Live

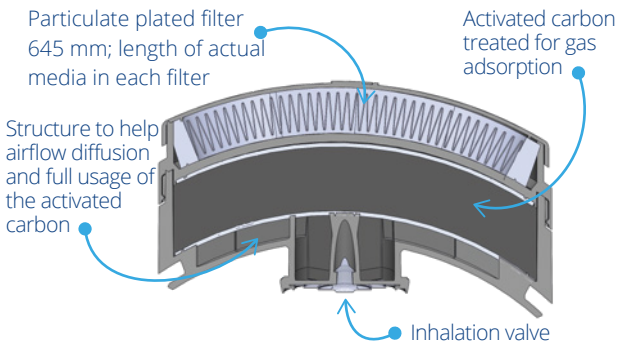
3 years (mask & filters) See storage conditions on Instructions for Use.
Filters are re-usable .

Material

- **Mask:** Medical grade TPE Conforms to ISO 10993-10: 2010 for irritations. Mask body latex and silicone free, odour free. Valve Body in Nylon, Inhalation/Exhalation diaphragm in Silicone. 4 point adjustable elasticated head and neck strap with comfort pad in TPE.
- **Gas Filters:** Activated carbon sealed into a ABS Shell.
- **Particulate filters:** Mechanical type multi-layer HESPA Synthetic media with TPE flexible overmolded / encapsulated. Particulate filters are integrated permanently with the carbon element.

Production

United Kingdom
100% of filters NaCl Tested



Code	Description	Quantity
SPR359 (S/M) SPR504 (M/L)	Elipse Half Mask complete with A1P3 filters	10 pcs. per box
SPM008	Elipse Low Profile Mask Carry Case (Belt holder)	10 sets per box

Applications - Organic gases, dust, mist and fumes

Welding



Metal Fumes and Dust in confined space (gas welding)

Construction



Paint, Moulds.

Car & Ship Repair



Epoxide, Paint, Solvents

Manufacturing



Solvents, various Organic Gases

Agriculture



Pesticides