

# CLY 760 1300: 1300kg CABLE DRUM TRAILER Data Sheet



# The Safety Supply Company

### Drum Shaft Disc Brake:

Mechanically operated disc assembly for enhanced shaft braking control. Hydraulic brake option is available for applications requiring high braking forces: See data sheet DS 761 4101/2 for further details.

### Improved Stability:

Due to lower shaft height, increased axle width and lowered suspension.

### Stabiliser Legs:

Easy to use drop and pin style.

### Lighting:

12V System fitted as standard incl. fog lamp

### Added Strength:

Deflector wings prevent damage to stronger mitred mudguards from objects such as fence posts.

### Unlimited Minimum Drum Diameter:

Easy loading of the smallest drum size due to internal A-Frame Mounting.

### Drum Loading Method:

Geared hand winch for reduced-fatigue, one-man operation

### Jockey Wheel:

Sturdy 48mm serrated style with solid rubber wheel.

### Braked Coupling Head:

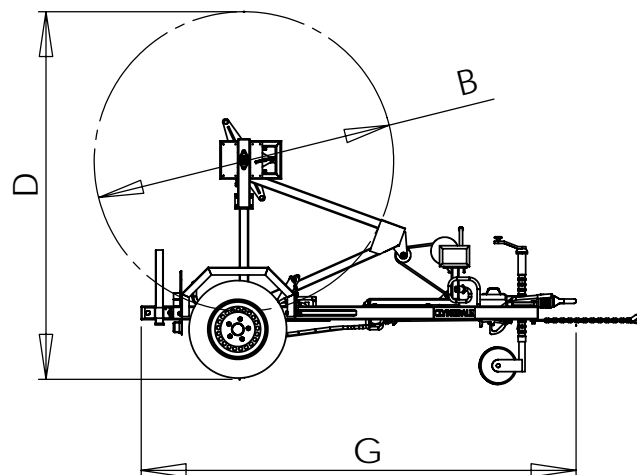
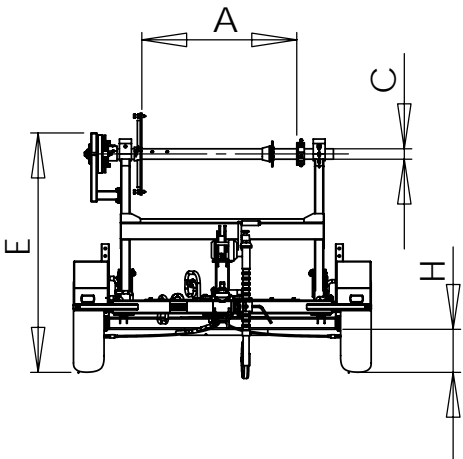
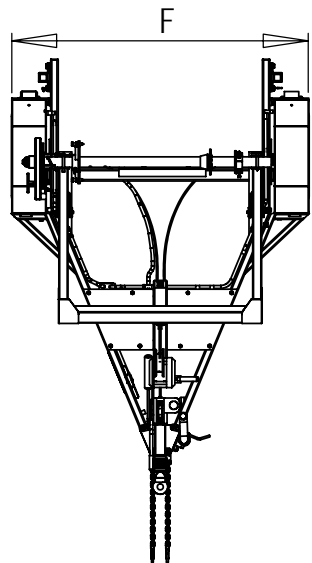
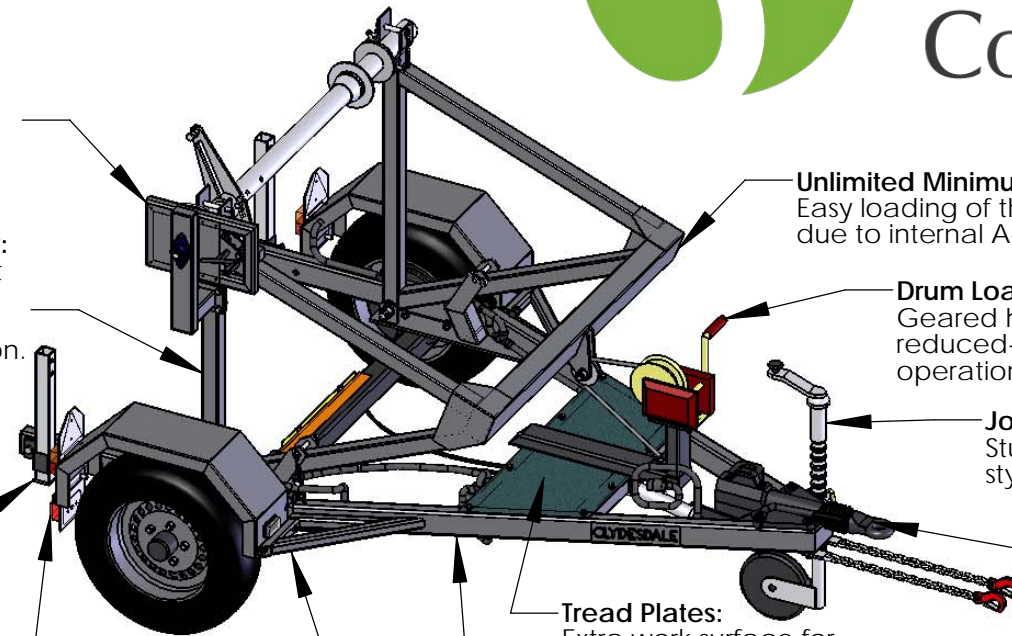
With the following head options:  
40mm DIN Eye  
50mm Ball Head  
76mm NATO Eye

### Tread Plates:

Extra work surface for tools etc.

### Hot Dip Galvanised Finish:

Galvanised frame and chassis for corrosion resistance.



<b>Max Drum Width</b>	A	1100mm
<b>Max Drum Diameter</b>	B	2000mm
<b>Min Drum Hole Diameter</b>	C	70mm
<b>Max Loaded Trailer Height</b>	D	2500mm
<b>Max Unloaded Trailer Height</b>	E	1600mm
<b>Trailer Width</b>	F	1990mm
<b>Trailer Length</b>	G	2900mm
<b>Road Clearance</b>	H	280mm
<hr/>		
<b>Max Drum Weight</b>		1300 kg
<b>Unladen Weight</b>		430 kg
<b>Max Laden Weight</b>		1730 kg