



# Gel-clear

## TECHNICAL DATA SHEET GEL-CLEAR CONDENSATE DRAIN TABLETS

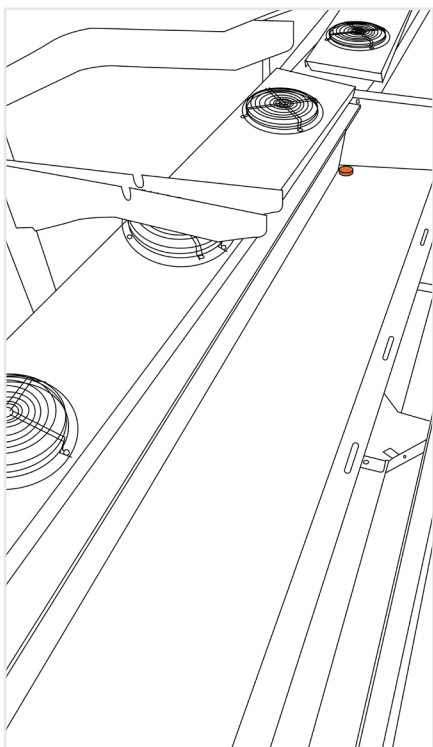


Gel-clear tablets dissolve in the condensate waste water, coating the drains in an antimicrobial protective layer preventing Biofilm formation along the whole dispersive route in any drainage system

Name	Gel-clear
Product Code	QP34
Packing Qty	1, 1x10 tube, 1x108 box
Tablet appearance	Orange Solid Disc
Tablet dimension	45mm x 18mm

### SPECIAL FEATURES

- 1 year protection
- NSF approved
- Pump safe
- Non-corrosive to metals
- 100% biodegradable
- No ecological toxicity



### DIRECTIONS FOR USE

Prior to use, ensure that the drains are flowing and free from blockages. Simply place the tablet at the highest end, adjacent to the coil, away from the drain outlet, ensuring its in contact with the water. If it is a central drain, two tablets can be used if preferred, but only one is necessary to prevent biofilm in the drains.

The tablets should be replaced annually, cabinet stickers are issued with tablets to identify installation/replacement date.

### BIOCIDE

Gel-clear tablets and formula are fully compliant with the EU Biocide directive, REACH compliant, Article 95 & 65 of the Biocidal Products Directive.

Gel-clear is for professional use only, always wear suitable PPE when working with condensate waste water.

### DANGER

Contains; Quaternary ammonium compounds, C12-14-alkyl[(ethylphenyl)methyl dimethyl, chlorides; Quaternary ammonium compounds, benzyl-C12-18-alkyldimethyl, chlorides



H302 - Harmful if swallowed H315 - Causes skin irritation H318 - Causes serious eye damage P280 - Wear eye protection, face protection, protective gloves  
P301+P312 - IF SWALLOWED: Call a POISON CENTRE or doctor if you feel unwell  
P302+P352 - IF ON SKIN: Wash with plenty of soap and water  
P305+P351+P338 - IF IN EYES: Rinse cautiously with water for several minutes. Remove contact lenses, if present and easy to do. Continue rinsing  
P310 - Immediately call a POISON CENTRE or doctor  
P362+P364 - Take off contaminated clothing and wash it before reuse  
P501 - Dispose of contents/container to hazardous or special waste collection point, in accordance with local, regional, national and/or international regulation