

Product Information and Assembly Instructions - Miniature Circuit Breaker Lockouts CB05/06/07/08

Locates prongs from inside

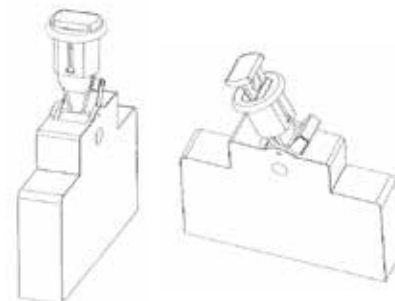


CB05

Push button operated, the model CB05 fits most popular breakers up to 60 Amp. Will also fit multi-pole breakers.

- 1 Push the button to release the prongs
- 2 Hold in position and place the two prongs into the two locating holes either side of the circuit breaker switch.
- 3 Lock in place using a padlock

Remember, the breaker must be in the "off" position before installing



Locates prongs from outside

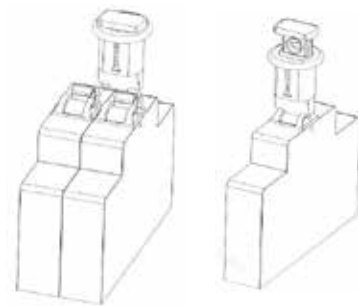


CB06

Push Button operated, the model CB06 fits most popular breakers up to 60 Amp. Will also fit multi-pole breakers.

- 1 Push the button to release the prongs
- 2 Hold in position and place the two prongs into the two locating holes either side of the circuit breaker switch.
- 3 Lock in place using a padlock

Remember, the breaker must be in the "off" position before installing



Locates prongs from inside

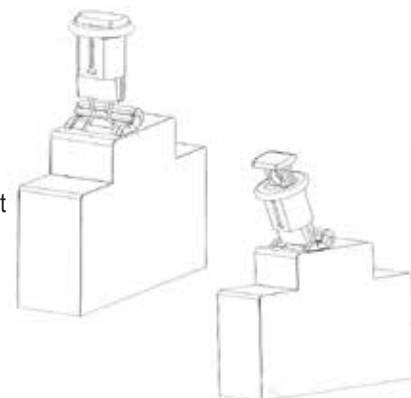


CB07

Push button operated, the model CB07 fits most popular breakers up to 60 Amp. Will also fit multi-pole breakers.

- 1 Push the button to release the prongs
- 2 Hold in position and place the two prongs into the two locating holes either side of the circuit breaker switch.
- 3 Lock in place using a padlock

Remember, the breaker must be in the "off" position before installing.



CB08

Adjustable thumb wheel operation, model CB08 fits larger or multi-pole circuit breakers connected with a cross bar. No holes in the breakers are required.

- 1 Unscrew the thumb wheel anti clockwise to release the clamp
- 2 Place the lockout over the breaker as shown and tighten the thumb wheel as required.
- 3 Lock in place using a padlock

Remember, the breaker must be in the "off" position before installing.

