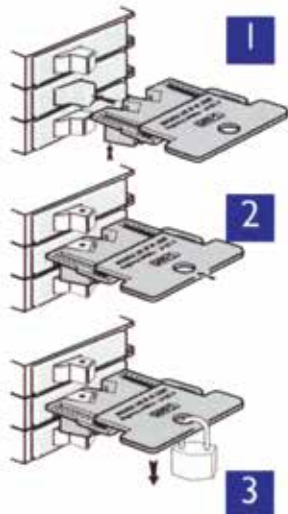
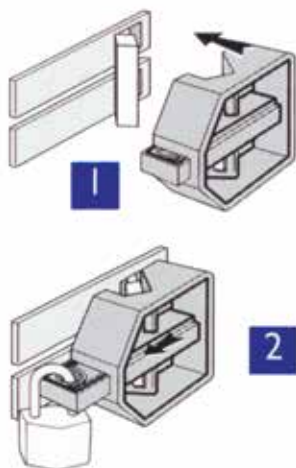


ASSEMBLY INSTRUCTIONS

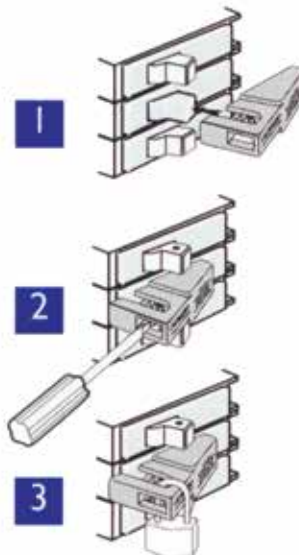
CB01



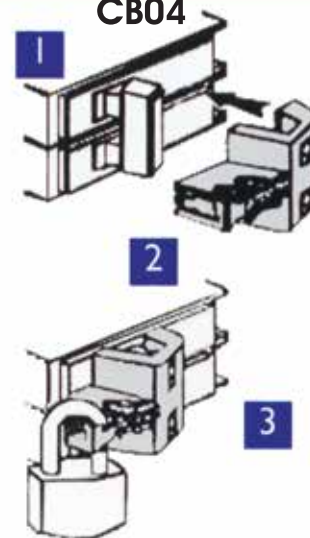
CB02



CB03



CB04



CB01

Our single pole breaker lockout requires a single switch with a recess hole in it.

- 1 To install, simply open the lock by sliding the base of the lock backwards.
 - 2 Place over the switch, making sure that the small pole inside the lockout device is now inserted into the hole of the switch. Close the lockout by pushing the base forward after ensuring that the holes are aligned.
 - 3 You are now ready to install your padlock.
- This model will accommodate breakers upto 12.5mm (1/2") in width.

Remember, the breaker must be in the "off" position before installing.

CB03

This model is our single breaker lockout for circuit breakers that do not have a recess hole.

- 1 To install, the breaker must be in the "off" position. Place the breaker lockout over the switch.
 - 2 Insert your screwdriver (star type) into the hole, tighten the screws well.
 - 3 Insert your lock or tag and close. Make sure everything is tight.
 - 4 Lock in place using a padlock
- This model will accommodate circuit breakers with an overall width of 12.5mm (1/2").

Remember, the breaker must be in the "off" position before installing

CB02

Our double pole breaker lockout requires that there be two switches connected together with a cross bar.

- 1 to install, place over the switches with the slotted side of the lockout covering the switches.
 - 2 Pull the slide bar out to attach padlock.
- This model will accommodate breakers with an overall width of 45mm (1.3/4").

Remember, the breaker must be in the "off" position before installing.

CB04

Our double pole breaker lockout requires that there be two switches connected together with a cross bar.

- 1 Pull the slider bar and place between the breaker lockout over the breakers.
 - 2 Push back the slider bar and put your padlock over the breakers.
- This model will accommodate double or triple breakers.

Remember, the breaker must be in the "off" position before installing