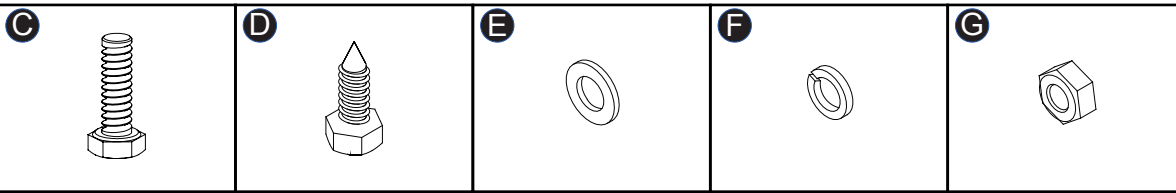


Guide to Assembly & Usage

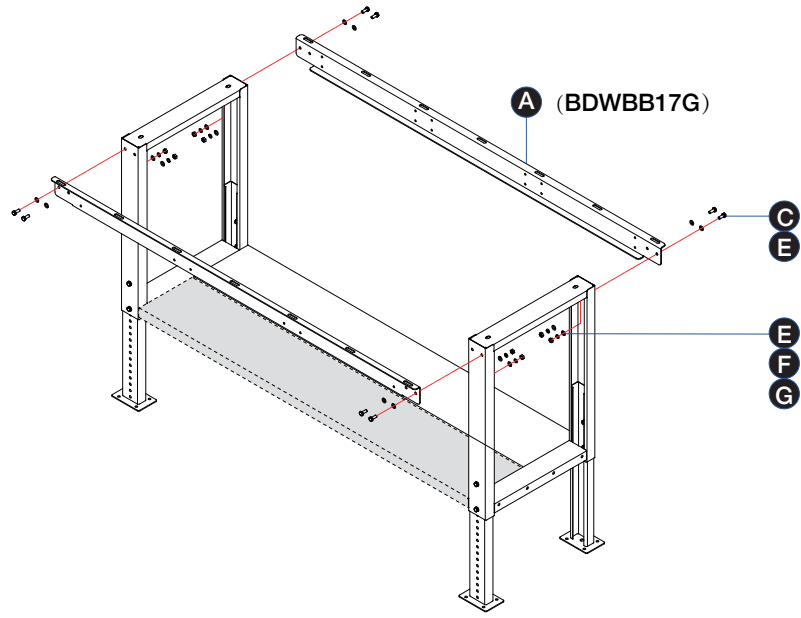
| L1725 Solid Wood / Laminate Worktop |

COMPONENT CHECK LIST

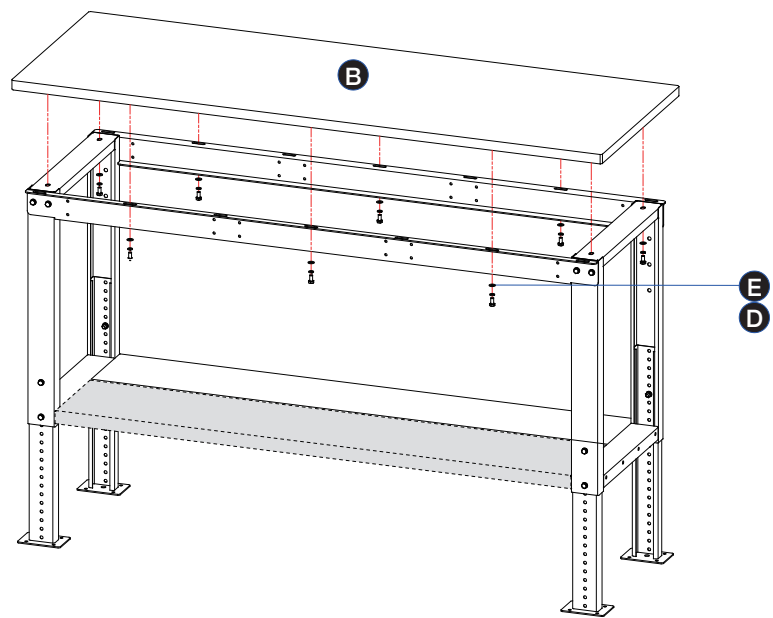
Component	Quantity
A Cross Beam	2
B Wooden Worktop	1
C M8x20 Bolt	8
D ST8x25 Screw	10
E Ø8 Plain washer	26
F Ø8 Spring washer	8
G M8 Nut	8



1



2



BDWBHW176G
 BDWBHW177G
 BDWBLM176G
 BDWBLM177G

Guide to Assembly & Usage

| L1220 Solid Wood / Laminate Worktop |

COMPONENT CHECK LIST

Component	Quantity
A Cross Beam	2
B Wooden Worktop	1
C M8x20 Bolt	8
D ST8x25 Screw	8
E Ø8 Plain washer	24
F Ø8 Spring washer	8
G M8 Nut	8

