

Guide to Assembly & Usage

BiGDUG - Heavy Duty Folding Workbench



Information

If in doubt, contact the supplier



Read this guide thoroughly before commencing assembly and retain for future reference



Before commencing assembly, unpack carefully and check that all components ordered are included



Caution

During assembly, ensure to:



Take care during assembly and in use, particularly when lifting or stretching & when using tools



Wear appropriate safety clothing – protective gloves and footwear are recommended



Build on a suitable level floor, which is strong enough to support the load and allow adequate working space



Dispose of packaging materials responsibly



Warning

Rules for the safe use of Workbench:



Ensure these instructions are retained for reference and that users are aware of the rules for safe use



Never climb on the structure or stand on the Workbench



Do not lean or support ladders, steps, or other objects against workbench



Do not use in damp or wet conditions



This product is designed for hand loading only



Ensure that the maximum load carrying capacities are not exceeded



Please refer to the loading information supplied for details

LOADING INFORMATION

BiGDUG - Heavy Duty Folding Workbench

For any other layouts, please refer to your supplier for detailed loading capacities

Shelf load capacities

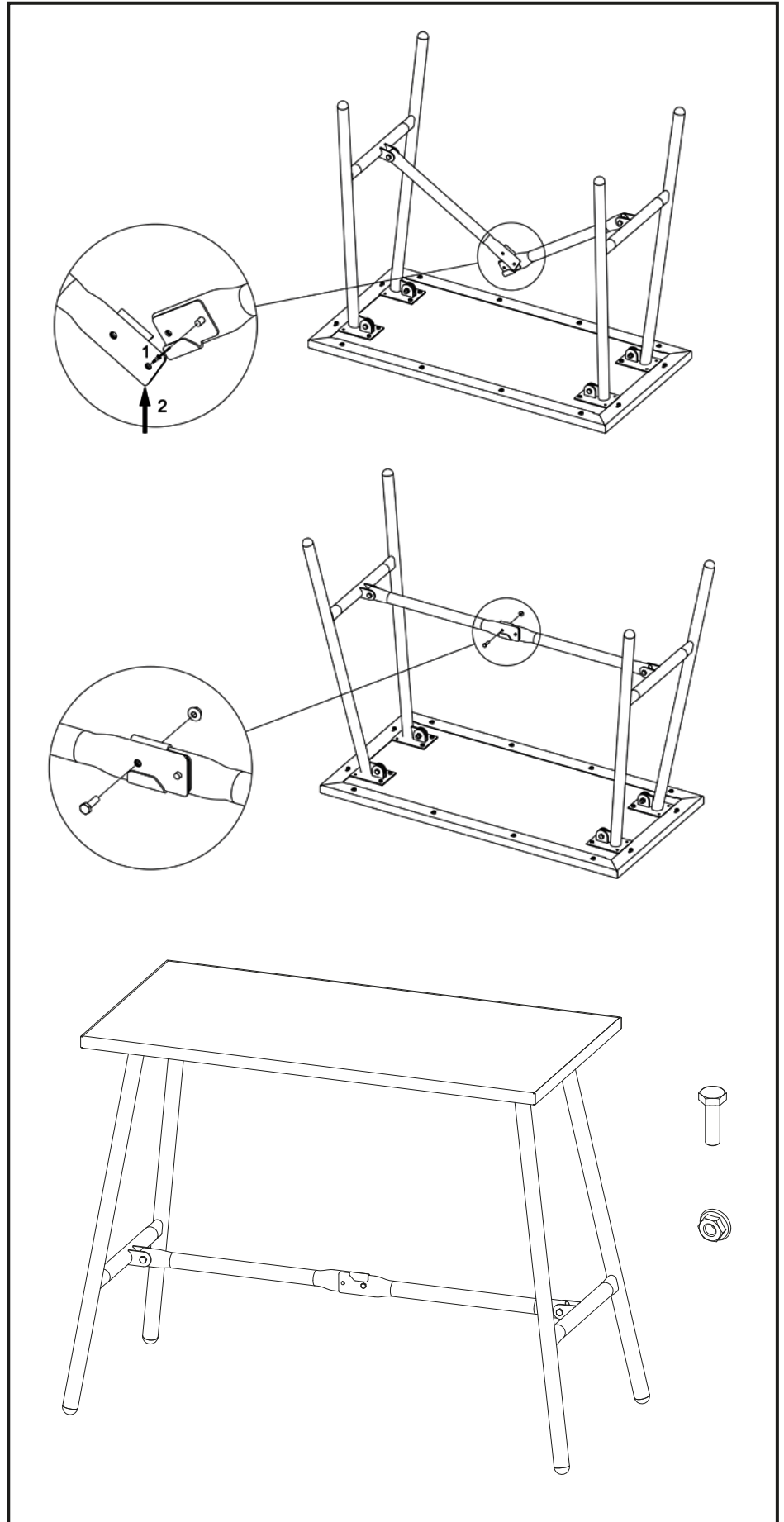
Maximum permitted shelf capacities are based on UDL¹.

BiGDUG - Heavy Duty Folding Workbench

Capacity UDL ¹ per shelf	150kg
-------------------------------------	-------

IF YOU ARE IN ANY DOUBT REGARDING LOAD CAPACITIES, PLEASE CONTACT YOUR SUPPLIER

¹UDL = Uniformly Distributed Load



Workbenches are safe when used responsibly. If in doubt, contact the supplier. If you have any missing components please take note of the part name and contact your supplier.