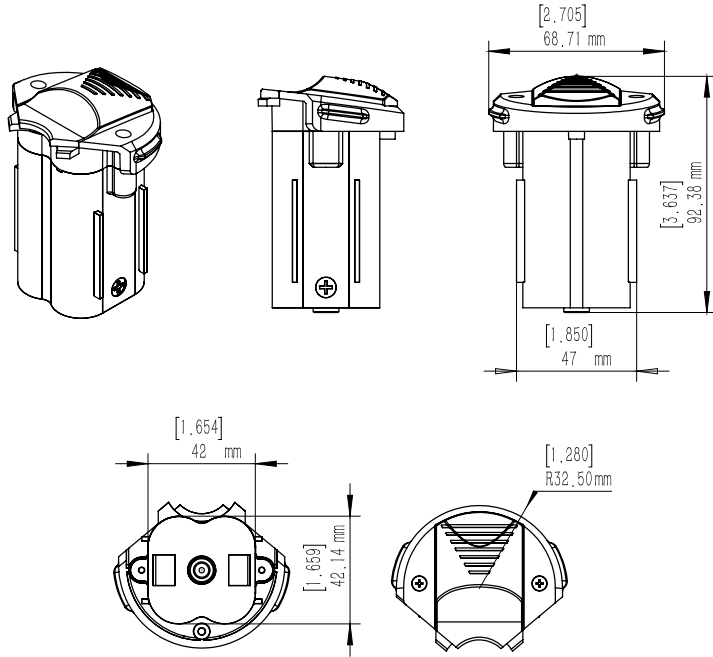


EXTRA HIGH CAPACITY BATTERY HEAVY LIFTING MADE EASY



Specifications:

Type	Li-ion 2600 mAh / 14.8 V (4x cells 3.7 V)
L x W x H	3.5 x 2.8 x 2.2" (90 x 70 x 55 mm)
Weight	0.7 Lbs (0.28 kg)
Rated Capacity	2.6 Ah
Nominal Voltage	14.8 V
Charge Voltage	16.8 V
Charge Current	520 mA
Operating Temperature	32 – 115 F (0 – 45 C) Charge / -4 – 140 F (-20 – 60 C) Discharge
Storage Temperature	-40 – 257 F (-40 – 125 C)
Overcharge Protection	4.25V
Features	Overcharge / Over Discharge / Over current protection. Fits all Grabo models
Long Term Storage	For storage over 3 month store in dry and cool place at 40 – 70 F (~5 – 20 C) charged to 14.4 – 15.6 V (80 – 90% of full charge)

